



The Perolo 4" NEATFLOW™ MKIV external spring footvalve is designed to be used as a bottom discharge for chemicals and liquid foodstuff products carried in tank containers and IBC's. The external spring design is perfectly suited to tanks containing viscous fluids and allows easy cleaning and maintenance - Discharge time improved - compact design.

SPECIFICATION

Nominal diameter	100 mm (4")
Weight	16.0 Kg
Inlet flange	8 holes x Ø14 x 190 PCD
Outlet flange	4 holes x Ø18 x 170 PCD*
Working pressure	4 Bar
Test pressure	6 Bar
Working temperature	-40° to +190°C
Design temperature	-40° to +200°C

NB: temperature range vary according to o'ring material

CONFORMITY, CERTIFICATION & APPROVAL

ADR / IMDG / RID / EN14433

Approved by : Bureau Veritas

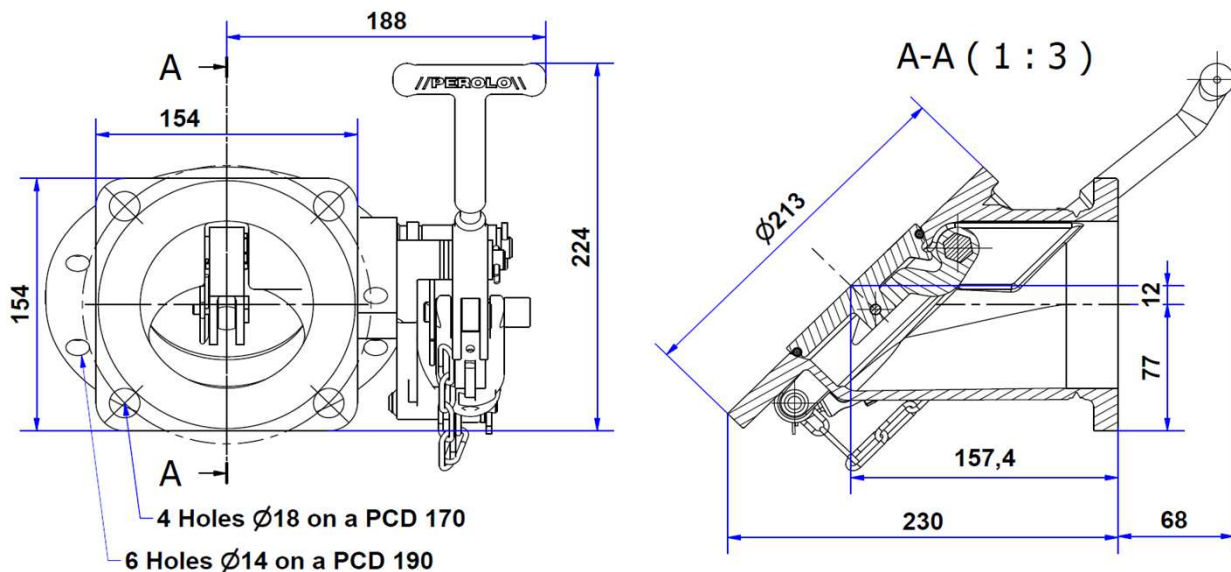
STANDARD FEATURES (See Codification for option)

Made of (material)	316L / 1.4409
Angle	45°
Body length	155 mm from center to outlet
O'rings material	FEP/Silicone
Seals material	PTFE
Operating	Side operated handle
Footvalve spring	Spring outside the tank allows easier cleaning

ACCESSORIES

45° weld-in flange	11 11 59 50 01
PTFE	11 11 59 90 01
Screw kit	11 11 59 99 01

DIMENSIONAL DRAWING



*other drilling options on request



CODIFICATION

STANDARD PART NUMBER

NX4	4	A	1	W
-----	---	---	---	---

YOUR PART NUMBER

NX4	4	A		W
-----	---	---	--	---

OUTLET ANGLE

45°

4

INLET FLANGE

8 x Ø14 x 190 PCD

A

OUTLET FLANGE

Square flange 4 x Ø18 x 170 PCD

1

Round flange 8 x Ø18 x 180 PCD

2

REMOTE CONTROL

With remote control lever

W

Without

.



BOTTOM DISCHARGE