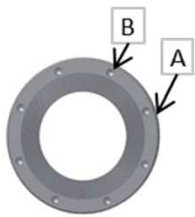


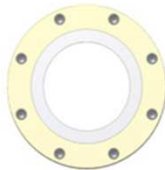
INSTALLATION

Ensure that the Inlet (tank side) flange and gasket are clean; free from dirt and grit.

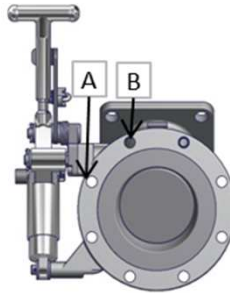
1. Screw the studs into the tank container flange. Take careful note of the position of the studs (pic 1)
2. Fit the gasket (picture 2).
3. Fit the NEATFLOW MKIV Footvalve in position (picture 3).
4. Tighten the studs and nuts at a maximum torque of 50 N.m. +/-5. For more details please refer to PWAGEN001



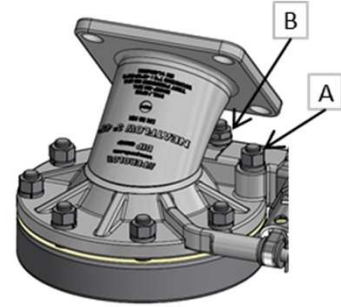
Picture 1



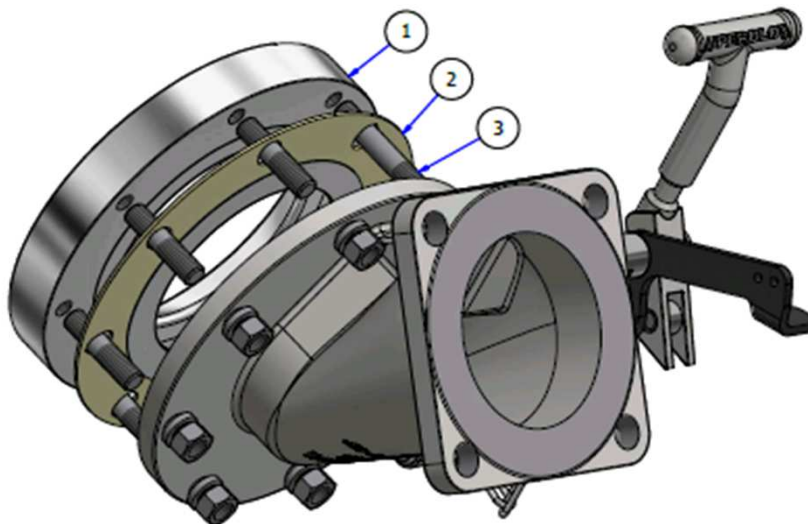
Picture 2



Picture 3



Picture 4



ITEM	DESCRIPTION	SPECIFICATION	PART N°
	4" NEATFLOW 45° MK IV	4" 45° footvalve, inlet flange 8x14xPCD190 Square Outlet flange 4xØ18xPCD170	NX44A1W
3	Stud kit	6x M12 34/18 studs, 2x M12 57/18 studs, 8x grower washers, 8xM12 standard nuts	11 11 59 99 01
2	Inlet Gasket	ext ø 213 mm, int ø 114 mm, 8 slots x14 x PCD184.2-190, CNAF / PTFE	11 11 59 90 01
1	Weld-in flange	ext ø 200 mm, int ø 120 mm, thickness 35 mm, 8 x M12 x PCD 178, 316L stainless steel	11 11 59 50 01