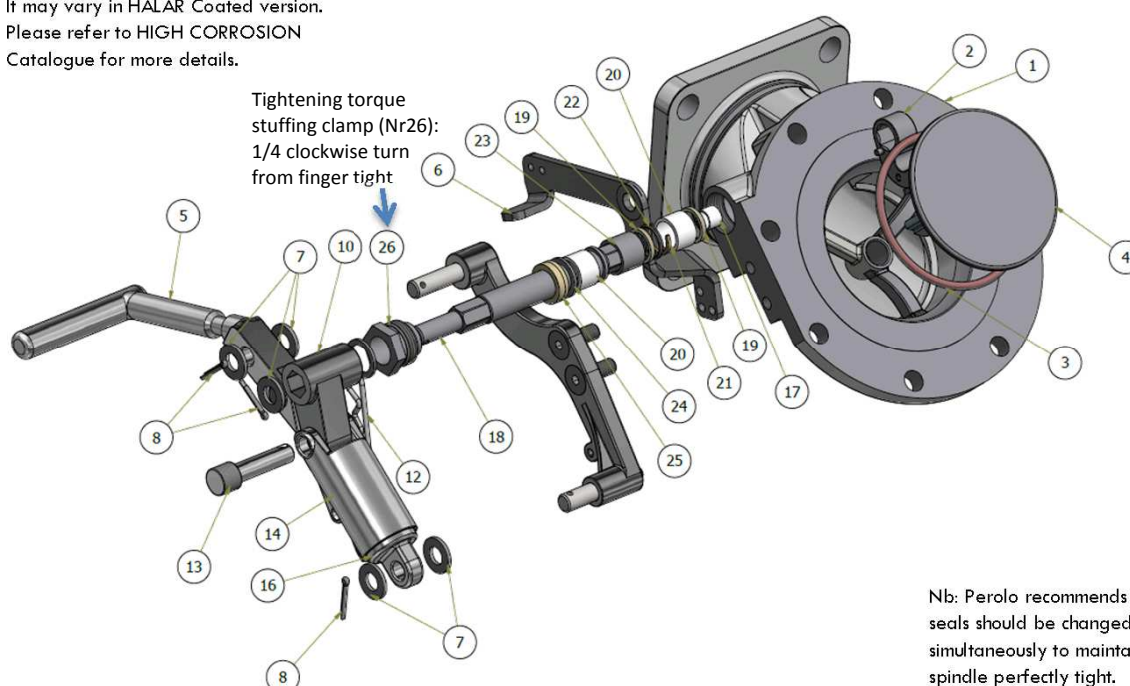


### MAINTENANCE

ITEM	QTY	DESIGNATION	PART N°
<b>Spindle:</b>			
18	1	Spindle, Stainless steel	17 11 25 00 01
<b>Spindle seals kit: 11 11 24 95 00</b>			
20	2	Spindle bush, PTFE	11 11 24 00 06
19	2	Gasket Ekonol, PTFE	70 10 90 00 93
17	1	Spindle bush, PTFE	12 85 30 00 05
21	1	Elastic ring, Stainless steel	-
22	1	Stop ring, Stainless steel	-
23	1	Spacer, Stainless steel	-
25	1	Packing gland, PTFE	11 11 24 00 15
24	2	Packing ring, Stainless steel	-
7	1	Washer, Stainless steel	-
8	1	V-pin, Stainless steel	-
<b>Pusher kit: on request</b>			
2	1	Lift fork, Stainless steel	11 22 08 00 02
<b>Poppet seal: 17 11 02 93 00</b>			
3	1	O'ring, FEP/Silicon	70 10 15 00 85
<b>Poppet kit:</b>			
3	1	O'ring, FEP/Silicon	70 10 15 00 85
4	1	Poppet, Stainless steel	11 22 08 00 06
-	1	Poppet Spindle, Stainless steel	11 16 87 00 05
-	1	Beta Pin	11 16 87 00 04

ITEM	QTY	DESIGNATION	PART N°
<b>Spring system kit: 11 11 14 99 19</b>			
14	1	Female MK2 case, Stainless steel	11 11 70 0A 03
16	1	Male MK2 case, Stainless steel	11 11 70 0A 04
8	1	V-pin, Stainless steel	-
7	2	Washer, Stainless steel	-
12	1	Beta pin, Stainless steel	70 13 20 37 14
15	1	Spring, Stainless steel	11 11 70 00 16
28	1	Chain, Stainless steel	-
<b>Handle kit: 11 16 25 94 00</b>			
5	1	T handle, Stainless steel	11 11 83 1A 10
-	1	Connecting rod, Stainless steel	-
9	1	Spindle roller, Stainless steel	-
7	2	Washer, Stainless steel	-
8	1	V-pin, Stainless steel	-

Material of the parts are indicated for Stainless Steel Version.  
 It may vary in HALAR Coated version.  
 Please refer to HIGH CORROSION Catalogue for more details.



Nb: Perolo recommends the spindle seals should be changed simultaneously to maintain the valve spindle perfectly tight.

