

# 1 1/4" (ND32) SAFETY RELIEF VALVE

## SINGLE ACTING PRESSURE OR VACUUM SRV

### YAK VXS3

1 1/4" YAK VX safety relief valve - designed to protect the tank from any over-pressure or any vacuum excess - Made of 316L/1.4409 stainless steel, this small product is suitable for road tankers dedicated to the transport and storage of chemicals and liquid foodstuff.



SPECIFICATION	
Nominal diameter	32 mm (1 1/4")
Weight	560 g
Connection	1 1/4" BSP or NPT
Pressure settings	from 0.2 to 3.5 Bar
Vacuum settings	from 20 to 800 mBar
Working Temperature	-40° to +190°C*

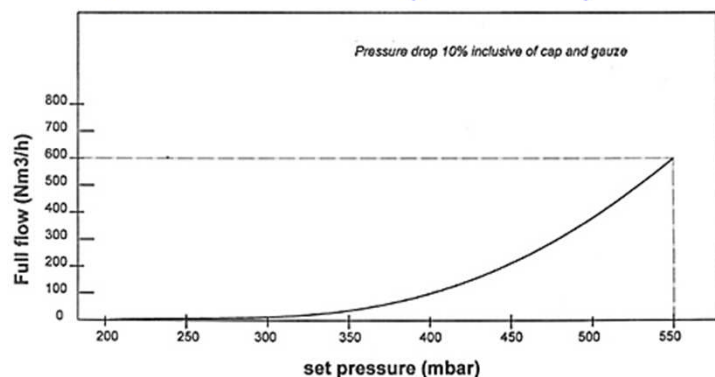
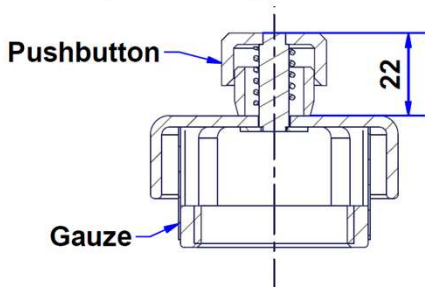
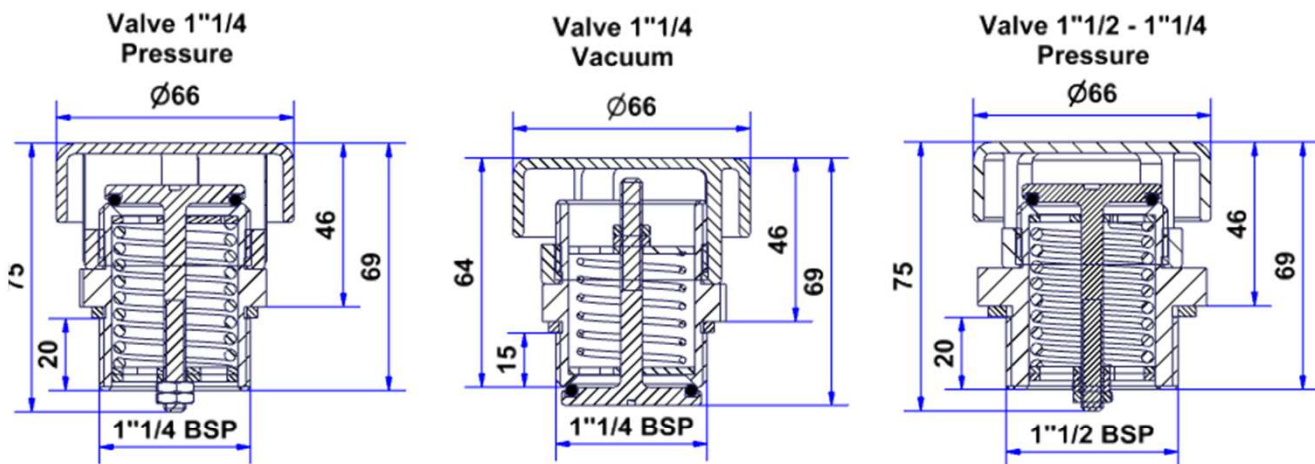
\*Temperature range may vary according to the seal material

CONFORMITY & CERTIFICATION	
Complies with ADR / IMDG / RID	

STANDARD FEATURES (See Codification for option)	
Made of (material)	316L / 1.4409 stainless steel
Setting Gasket	PTFE / Composite PTFE / Perbunan PTFE
O'rings material	FEP silicone / PFA silicone / Viton / Foodstuff Nitrile / Viton silicone

ACCESSORIES	
Weld-in flange	On request
1 1/4" Seal PTFE	17 10 06 00 06
1 1/2" Seal PTFE	17 10 10 00 14

### DIMENSIONAL DRAWING



Flow measurement conditions:

1 1/4" vacuum valve flow performance for 210 mBar

Set pressure tolerance: Max (±3%; 0,1b/1,45 PSI)

# 1 1/4" (ND32) SAFETY RELIEF VALVE

## SINGLE ACTING PRESSURE OR VACUUM SRV

### YAK VXS3

#### CODIFICATION

#### STANDARD PART NUMBER

VXS3	B	F	P	22	F	Z	S	0
------	---	---	---	----	---	---	---	---

#### YOUR PART NUMBER

VXS3

#### TYPE OF THREAD

BSP	<b>B</b>
NPT	N

#### INLET & OUTLET CONNECTION

Inlet 1"1/4 - outlet 1"1/4	<b>F</b>
Inlet 1"1/2 - outlet 1"1/4	W
Inlet 1"1/2 - outlet 1"1/2 (no cover)	A

#### PRESSURE OR VACUUM

Pressure	<b>P</b>
Vacuum	V

#### PRESSURE OR VACUUM SETTING

For pressure: *.* bar (ex: 2.2bar)	<b>22</b>
For vacuum: 0.* bar (ex: 0.21 bar)	21

#### O'RING

FEP/Silicone (-40° to +200°C)	<b>F</b>
FKM Viton (-15° to +200°C)	V
FEP/Viton (-20° to +200°C)	B
Foodstuff nitrile (-30° to +120°C)	A
PFA/Silicone (-40° to +250°C)	H

#### SETTING GASKET MATERIAL

Perbunan PTFE	P
Composite PTFE	C
PTFE	<b>Z</b>

#### COVERLID

With lid (only for 1 1/4" BSP outlet)	C
With lid and vacuum test button	P
Without lid	<b>S</b>

#### FLAME PROOF GAUZE

With gauze	G
Without gauze	<b>0</b>



**SAFETY RELIEF VALVE**