



4" CHEMFLOW™ MK2 90° pneumatic or manual footvalve - designed to discharge liquid chemicals and foodstuffs carried in road tankers - The external spring design is perfectly suited to tanks containing viscous fluids and allows easy cleaning and maintenance.

SPECIFICATION	
Nominal diameter	100 mm (4")
Weight	15.0 Kg
Inlet flange	8 x Ø14 x 184.2 to 190 PCD
Outlet flange	8 x Ø12 x 150 PCD
Working pressure	4 Bar (pneumatic air pressure 5 Bar)
Test pressure	6 Bar
Working temperature	-40° to +190°C
Design temperature	-40° to +200°C

NB: temperature range vary according to o'ring material

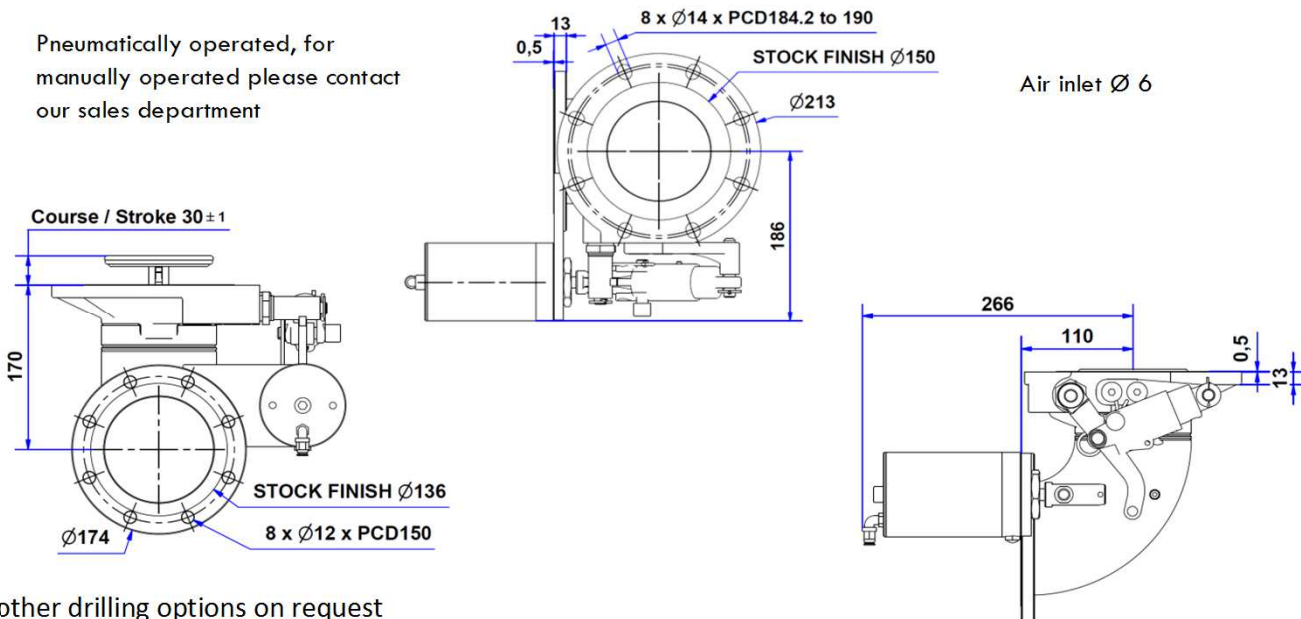
CONFORMITY, CERTIFICATION & APPROVAL	
ADR / IMDG / EN14433	
Approved by : Bureau Veritas	

STANDARD FEATURES (See Codification for option)	
Made of (material)	316L / 1.4409 stainless steel (C22 Hastelloy)
Angle	90°
Body length	-
O'rings material	FEP/Silicone
Seals material	FEP / PTFE
Operating	St. St. spring return actuator or hand operated
Footvalve spring	Spring outside the tank allows easier cleaning

ACCESSORIES	
Weld-in flange	17 11 03 90 01
Seal	17 11 03 90 02
Bolting kit	17 11 03 92 00

DIMENSIONAL DRAWING

Pneumatically operated, for manually operated please contact our sales department



*other drilling options on request

CODIFICATION

STANDARD PART NUMBER

CF492 1A R C .

YOUR PART NUMBER

CF492

OUTLET FLANGE

Round, 8 x Ø12x150PCD (pneumatic)	1A
without outlet flange (pneumatic)	1B
Round, 8 x Ø12 x 150 PCD (manual)	1
Square 4 x Ø18 x 150PCD (manual)	2
without outlet flange (manual)	3

POPPET

Conical Poppet	S
Flat Poppet	R
Blade Poppet	B

ACTUATOR

Side Stainless Steel Actuator	C
Manually operated with lever	M

SPECIAL OPTIONS

Without special options	.
Body in 904L stainless steel	U
Body in Hastelloy C22	H
With removable seat in 316L	X

removable seat marked in red



BOTTOM DISCHARGE