



Perolo 3" CHEMFLY bottom discharge valve is designed to suit chemical or foodstuff road tankers - includes a 3" CHEMFLY butterfly valve, a 3" BSP threaded outlet and a 3" welding neck.

SPECIFICATION

Nominal diameter	80 mm (3")
Weight	8 Kg
Inlet flange	4 holes x Ø14 on a 130 PCD
Outlet flange	3" BSP
Working pressure	7 bar
Test pressure	10.5 bar
Working temperature	-40° to +150°C
Design temperature	-40° to +190°C

NB: temperature range vary according to o'ring material

CONFORMITY, CERTIFICATION & APPROVAL

ADR / IMDG / RID / EN14433

Approved by : Bureau veritas

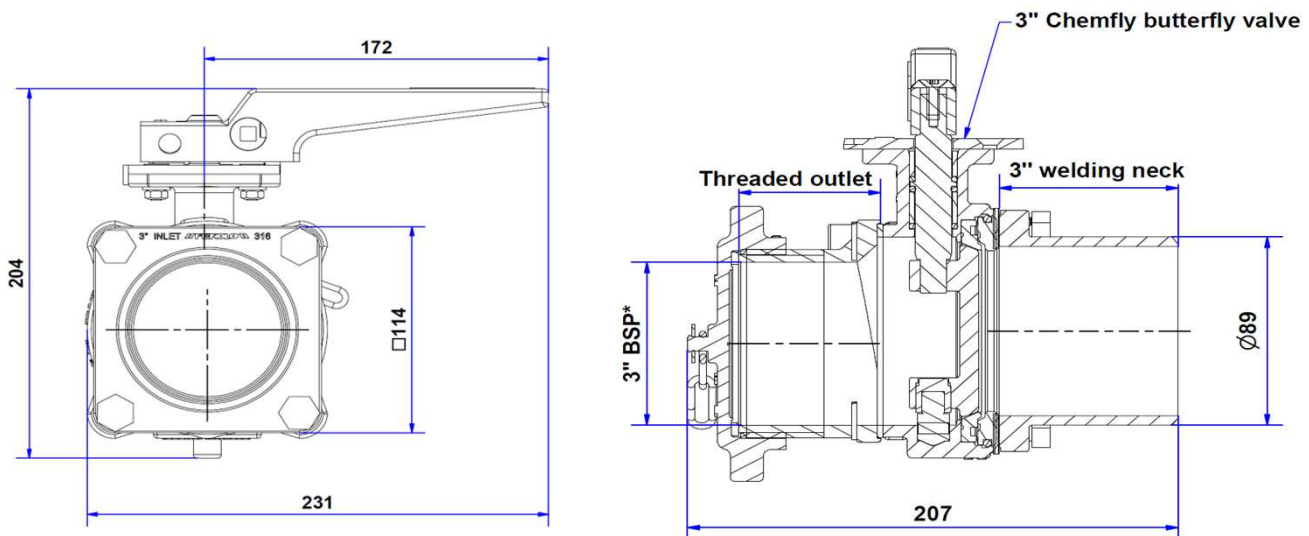
STANDARD FEATURES (See Codification for option)

Made of (material)	316L / 1.4409 stainless steel
Angle	180°
Body length	depends on options
O'rings material	Not applicable
Seals material	PTFE
Operating	Locking handle - 1/4 turn
Footvalve spring	Without spring

ACCESSORIES

45° weld-in flange	11 11 59 50 01
PTFE	11 11 59 90 01
Screw kit	11 11 59 99 01

DIMENSIONAL DRAWING



CODIFICATION

STANDARD PART NUMBER

VLY3 | 1 | 1 | 0 | . | 1 | 2 | 1 | 0

YOUR PART NUMBER

VLY3 | 1 | 1 | | | | | | | |

INLET FLANGE

4 x Ø14 x 130 PCD

1

OUTLET FLANGE

4 x M10 x 120 PCD

1

VENTING PORTS *

None

0

1 x 3/8" NPT

1

1 x 3/8" BSP

2

2 x 3/8" NPT

3

2 x 3/8" BSP

4

1 x 3/8" BSP

G

1 x 1/2" BSP

H

MATERIAL

316L / 1.4409 stainless steel

.

904L / 1.4539 stainless Steel

U

WELDING INLET - Others on request

3"

1

OUTLET NOZZLE LENGTH

Short outlet length (60mm)

1

Long outlet length (110mm)

2

OUTLET THREAD

Without thread

0

3" BSP

1

3" NPT

2

DUST CAP

None

0

3" BSP cap

1

3" NPT cap

2

* Venting ports position are described on specification sheet of chemfly light butterfly valve