



3" CHEMFLOW™ 90° MK4 pneumatic or manual footvalve - designed to discharge liquid chemicals and foodstuffs carried in road tankers. The external spring design is perfectly suited to tanks containing viscous fluids and allows easy cleaning and maintenance. With removable seat (optional): when the seat of your Chemflow is damaged by pitting, you only change the removable seat and not your complete footvalve.

SPECIFICATION	
Nominal diameter	80 mm (3")
Weight	12 Kg
Inlet flange	8 holes x Ø14 on a 178 PCD
Outlet flange	4 holes x Ø18 on a 160 PCD
Working pressure	4 Bar (pneumatic air pressure 5 Bar)
Test pressure	6 Bar
Working temperature	-40° to +190°C
Design temperature	-40° to +200°C

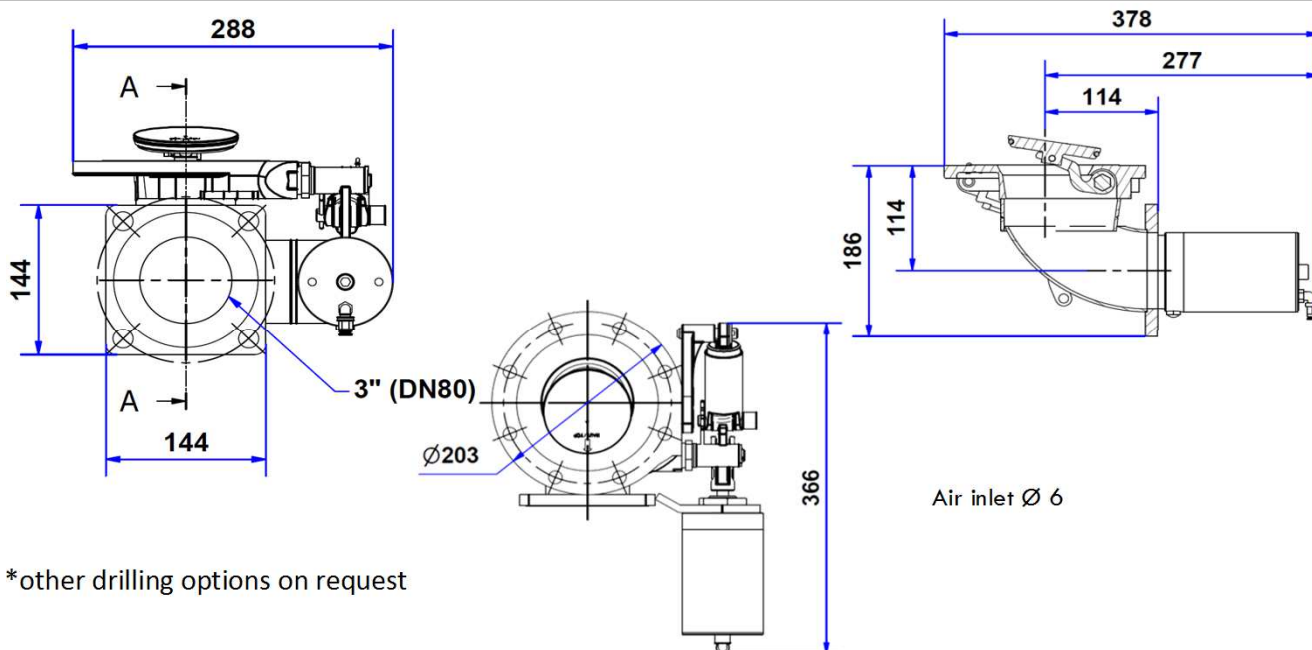
NB: temperature range vary according to o'ring material

CONFORMITY, CERTIFICATION & APPROVAL	
ADR / IMDG / RID / EN14433	
Approved by : Bureau Veritas	

STANDARD FEATURES (See Codification for option)	
Made of (material)	316L / 1.4409 stainless steel
Angle	90°
Body length	-
O'rings material	FEP/Silicone
Seals material	FEP / PTFE
Operating	St. St. spring return actuator or hand operated
Footvalve spring	Spring outside the tank allows easier cleaning

ACCESSORIES	
Weld-in flange	11 90 59 00 00
Inlet seal	12 91 20 00 00
Outlet seal	12 91 39 00 00
Bolting kit	11 11 27 93 00
Removable seat kit	17 11 89 90 00

DIMENSIONAL DRAWING



*other drilling options on request

CODIFICATION

STANDARD PART NUMBER

CX39 1 R C . . .

YOUR PART NUMBER

CX39 R

OUTLET FLANGE

Square outlet flange 4 x18x160PCD	1
Round outlet flange 4 x18x160PCD	2
Removable seat square outlet flange 4 x 18x160 PCD	3

POPPET

Flat poppet	R
-------------	---

ACTUATOR

Side actuator	C
Mechanical lever (remote operated)	M
Mechanical handle	H

REMOVABLE SEAT

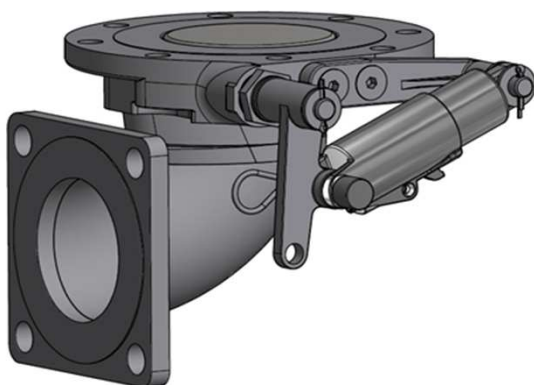
Without	.
With removable seat	X

BODY MATERIAL

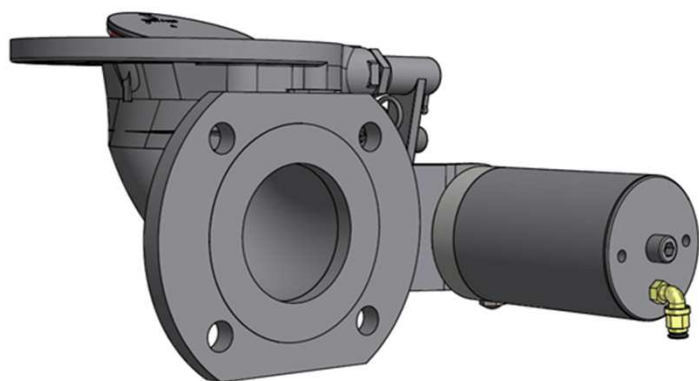
316L	.
904L	U

INTERNAL COMPONENT

316L Stainless steel	.
C276 Hastelloy	H



Mechanical (Without Actuator)



Round Outlet Flange

BOTTOM DISCHARGE