

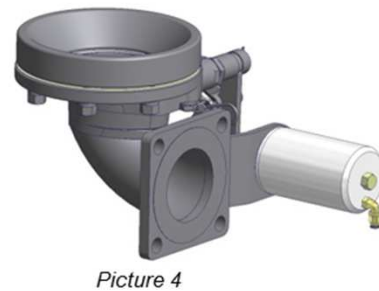
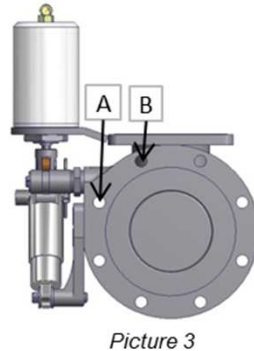
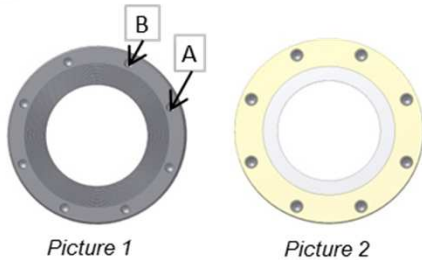
INSTALLATION



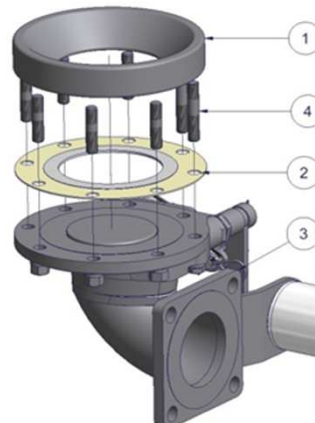
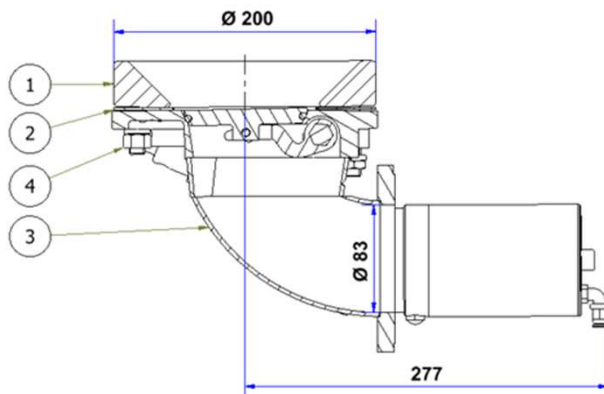
Ensure that the Inlet (tank side) flange and gasket are clean; free from dirt and grit.

1. Screw the studs into the tank container flange. Take careful note of the position of the studs.
2. Fit the PTFE gasket.
3. Fit the CHEMFLOW Footvalve in position.
4. Tighten the studs and nuts at a maximum torque of 50 N.m. +/-5. Please refer to PWAGEN001 for more details

- A Stud M12 63/33 with standard nuts
- B Stud M12 48/30 with thin nut



ITEM	DESCRIPTION	SPECIFICATION	PART N°
3	CHEMFLOW 90° Footvalve	3" 90° footvalve, inlet flange 8 x 14 x 178 PCD Outlet flange 4x Ø18 x160PCD, Stainless Steel pneum. actuator	CX391RC
4	Bolting kit	6 x M12 34/25 studs, 1 x M12 48/30 stud (B) 1 x M12 63/33 stud (A), 8 x grower washers, 7 x M12 standard nuts, 1 x thin nut (B)	11 11 27 93 00
2	Seal	PTFE, drilling: 8 x 14 x 178 PCD, CNAF/PTFE	12 91 20 00 00
1	Weld-in flange	Ext dia 200, int dia 114.3mm, thickness 35 mm Drillings 8xM12xPCD178mm, 316L stainless steel	11 90 59 00 00



BOTTOM DISCHARGE