

4" (ND100) "Y" VALVE

Footvalve

19 11 28 00 00 or 19 11 28 00 00 P (PED version)



The New Perolo ND100 "Y" Discharge Valve is designed to be used as a side discharge valve for Rail tank. Available in regular version and version compliant with PED regulations (part number 1911280000P)

- Spring loaded packing for improved tightness.
- Conical sealing surface for good tightness.
- No product retention.
- PTFE Seal for good corrosion resistance.
- Delivered unpainted
- Low handwheel torque for easy manual operation.
- Easy maintenance with low number of component.
- Prevent from unauthorised operation with padlock and Locking Pin.
- Caution :
Check the compatibility between valve material and fluid before operating.
Do not applied a load over 1150 kg at the end of the valve.

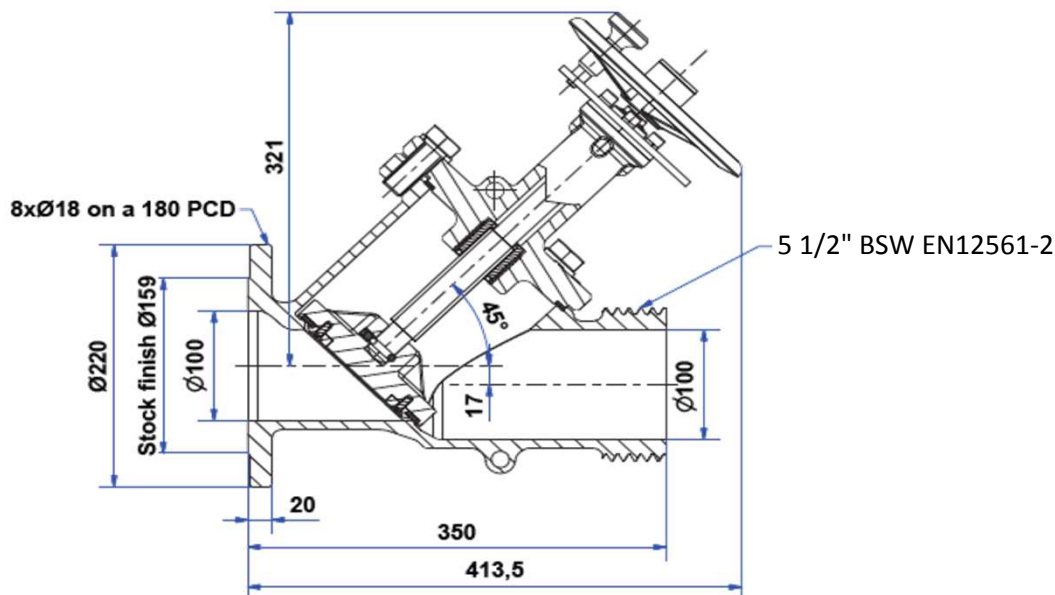
SPECIFICATION	
Nominal diameter	100mm (4")
Weight	36.5 Kg
Inlet flange	8x Ø18 on a 180 PCD
Outlet flange	5 1/2" BSW EN12561-2
Working pressure	16 Bar
Test pressure	24 Bar
Working temperature	-40° to +190 °C

NB: temperature range vary according to o'ring material

CONFORMITY, CERTIFICATION & APPROVAL	
RID / EN 14432/ EN12561-2 Threaded outlet	
Approved by: Lloyd's	
PED (for 1911280000P only)	
PED 2014/68/EU - Category II - Fluid group 1	

STANDARD FEATURES	
Made of (material)	CF8M / 1.4408 (body)
Body length	350mm
O'rings material	PTFE / Viton
Operating	Multiturn handwheel, Locking device
Steam heating	on request

DIMENSIONAL DRAWING



BOTTOM DISCHARGE