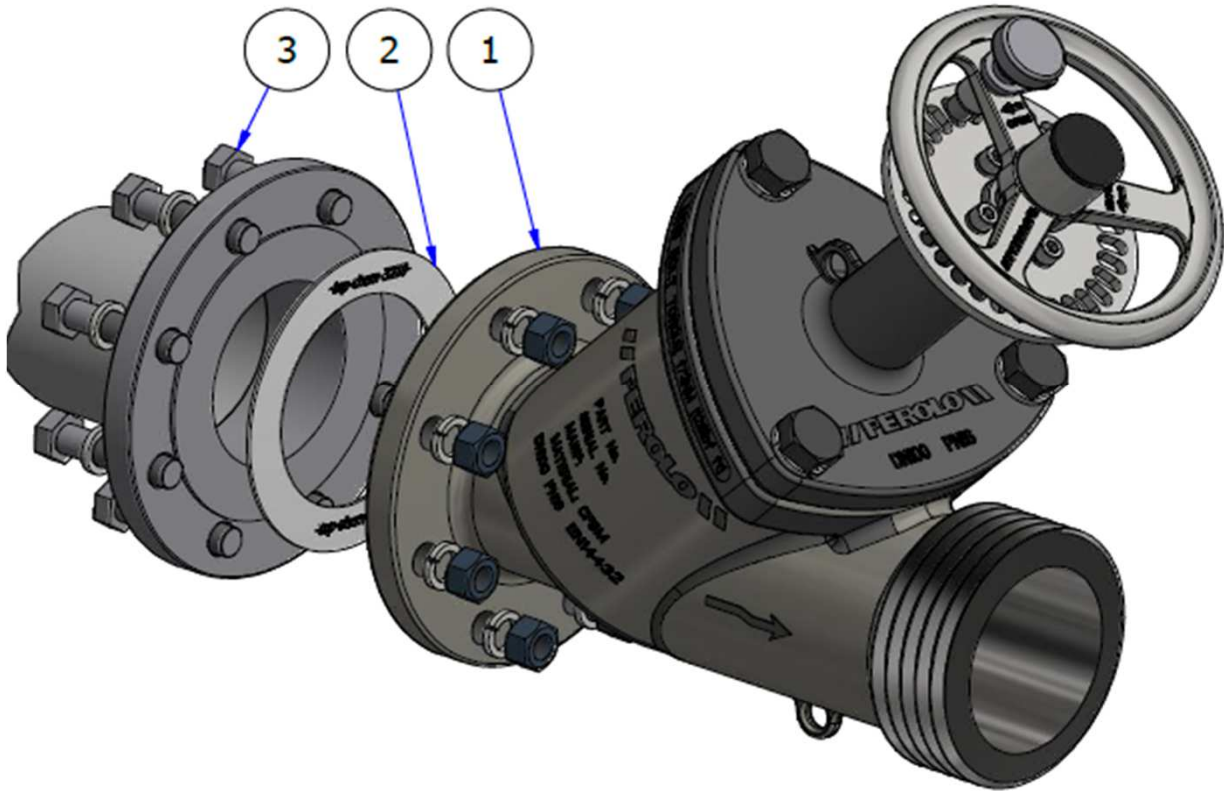


INSTALLATION



This installation sheet is valid for PED and NON-PED valves (carbon steel and stainless steel)

ITEM	DESCRIPTION	SPECIFICATION	PART N°
1	DN100 Y Valve	Stainless steel	1911280000(P)
		Carbon steel	1911330000(P)
		Carbon steel with heating jacket	1911350000(P)
2	Gasket	Flat, round, ext ø 220mm, int ø 117mm 8xø18x 180PCD, CNAF / PTFE	1990053001
2&3	Gasket & Stud kit	Flat, round, ext ø 220mm, int ø 117mm 8xø18x 180PCD, CNAF / PTFE 8 screws, 16 grower washers, 8 nuts	1914019200 (for carbon steel Y valve) upon request for st st Y valve