

The Perolo rail bilateral control is designed to be used with Perolo rail bottom discharge to open and close the footvalve from both sides of the rail tank car.



SPECIFICATION & STANDARD FEATURES

Made of (material)	Carbon Steel - other on request
Tube Length	1400 Min to 2600
Weight	30 to 40Kg approx depending on options
Fixation	To weld or bold on wagon frame
Operating	Manually

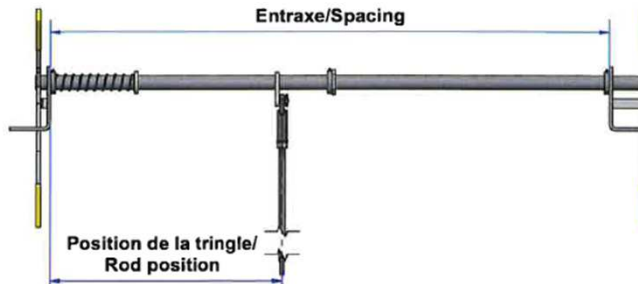
for installation and adjustments refer to PWA1911260000

DIMENSIONAL DRAWING

1 ENTRAXE / SPACING POSITION TRINGLE / ROD POSITION:

Entraxe / Spacing :

- A = 1469mm
- B = 1730mm
- C = 1823mm
- D = 2228mm
- E = 2260mm
- F = 2320mm
- G = 2400mm
- H = 2418mm
- I = 2586mm



Position de la tringle
Rod position :

XXXX = Distance (mm)

2 TYPE DE TRINGLE / LONGUEUR TRINGLE KIND OF ROD / ROD LENGTH:

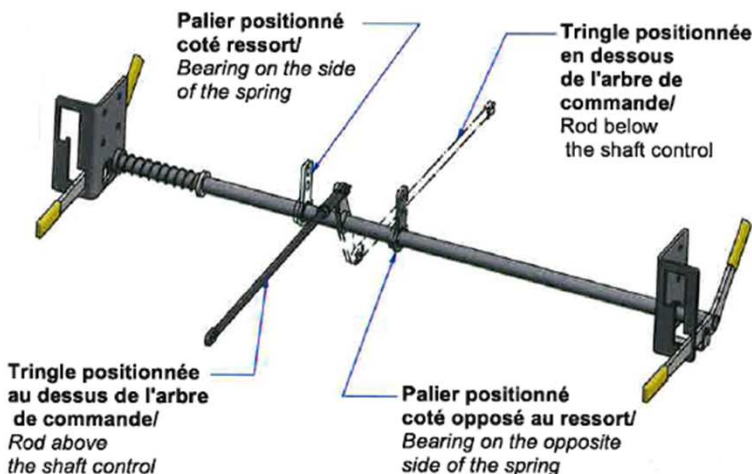
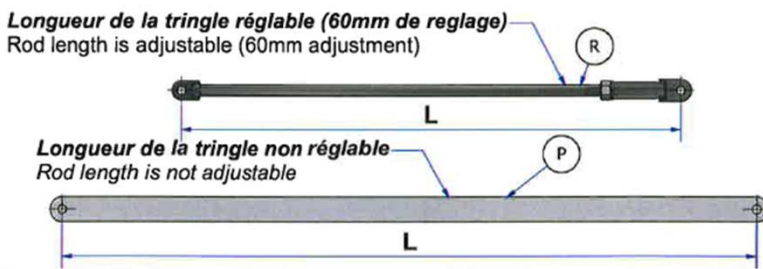
Longueur de tringle
Rod length:

450mm < L < 2800mm

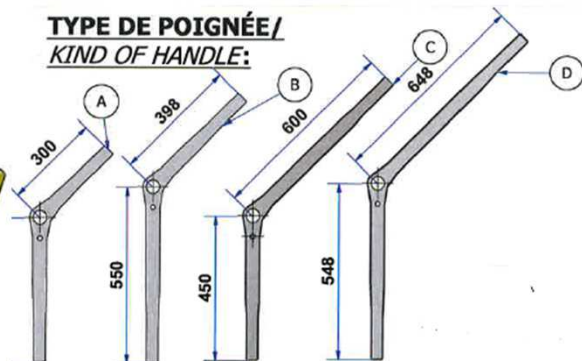
Exemple : 950mm = 0 9 5 0

Type de tringle
Kind of rod:

R : Profil rond / Round profile
P : Profil plat / Flat profile



TYPE DE POIGNÉE / KIND OF HANDLE:



CODIFICATION

STANDARD PART NUMBER

CB	1	B	700	R	1283	H	C	L	A	0
----	---	---	-----	---	------	---	---	---	---	---

YOUR PART NUMBER

ASSEMBLY OPTIONS

Delivered not assembled	0
Delivered fully assembled	1

TUBE LENGTH (between brackets)

1469mm	A
1730mm	B

others on request

ADJUSTABLE ROD POSITION

Distance from spring side (in mm)	XXXX
Not assembled	0000

ADJUSTABLE ROD TYPE

Round, 60mm adjustable	R
Flat, not adjustable	P

ADJUSTABLE ROD LENGTH

Length in mm: $450 < L < 2800$	XXXX
--------------------------------	------

ADJUSTABLE ROD DIRECTION

Above shaft control	H
Below shaft control	B

HANDLE TYPE

Handle type A	A
Handle type B	B
Handle type C	C
Handle type D	D

BEARING POSITION

On spring side	R
Opposite of spring side	L
Without	0

DECAL LANGUAGE

German/English/French	A
Serbian/English	S
English/French	E

DAMPER OPTION

Without	0
With - only possible with rod type R	1



BOTTOM DISCHARGE