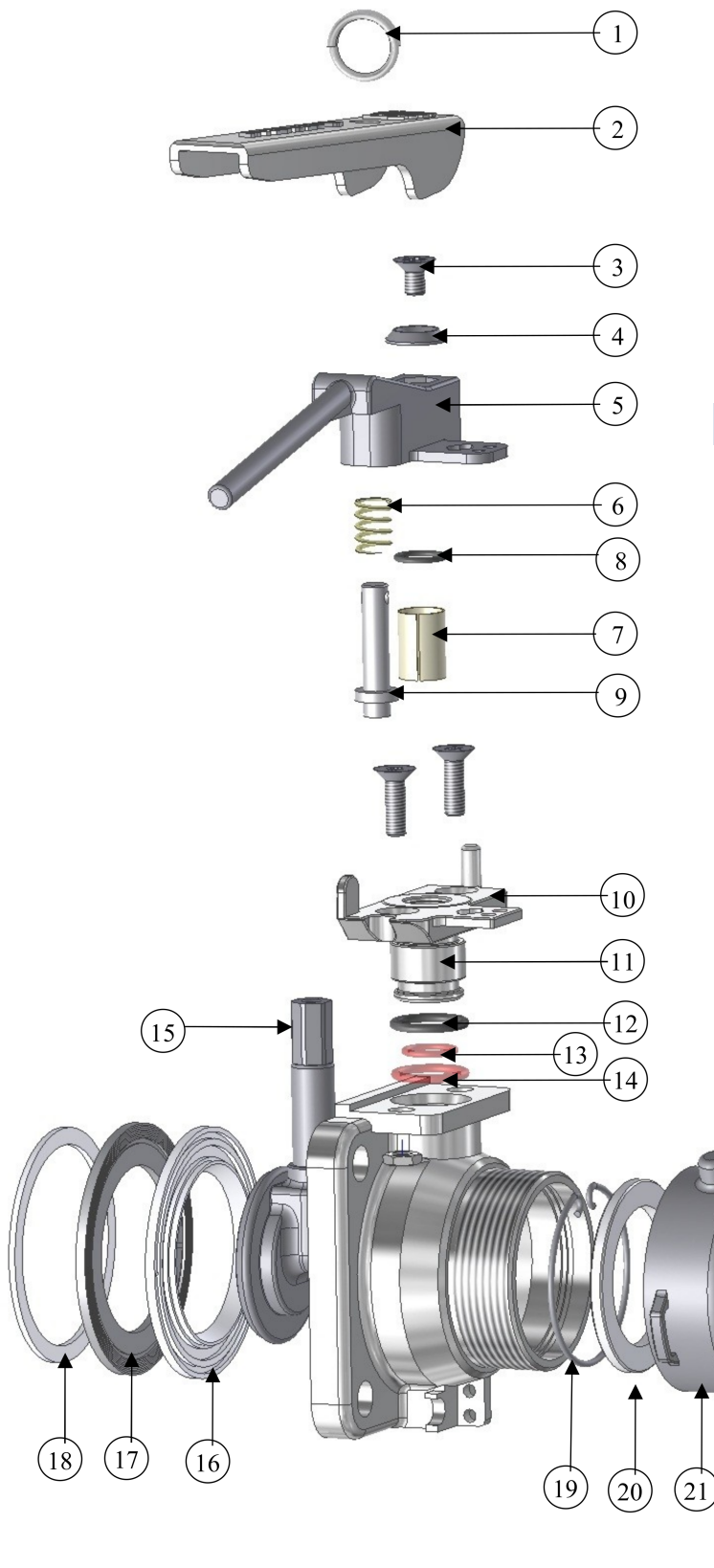


2" BSP or NPT TANKFLY™

Series TT4X butterfly valves

Maintenance



N°	Description	Part#
1	Ring (Stainless Steel)	11 12 03 97 00
Handle kit including :		
1	Ring (Stainless Steel)	
2	Handle (Stainless Steel)	
3	Screw M6-10 (Stainless Steel)	
4	Washer (Stainless Steel)	11 12 04 98 00
5	Handle bracket (Stainless Steel)	
6	Spring (Stainless Steel)	
9	Latch (Stainless Steel)	
Sleeve clamp kit including :		
7	Spacer (PTFE/Stainless Steel)	
8	O'ring (Fluorocarbon)	
10	Sleeve (Stainless Steel)	
11	Bearing (Stainless Steel)	11 12 03 92 00
12	O'ring (Viton)	
13	O'ring (FEP encapsulated Silicone)	
14	O'ring (FEP encapsulated Silicone)	
Closure Plate kit		
15	Closure Plate (Stainless Steel)	11 12 03 93 00
PTFE seal kit including :		
16	Lower seal (PTFE)	11 12 03 99 00
18	Closure plate seal (PTFE)	
Plate seal kit		
16	Lower seal (PTFE)	11 12 03 60 00
17	Seal ring (Stainless Steel)	
18	Closure plate seal (PTFE)	
2" BSP CAP kit including :		
21	2" BSP CAP & chain (Stainless Steel)	11 12 03 40 00
20	Gasket (PTFE)	
Gauze kit including :		
Gauze filter S.A. (Stainless Steel)		11 12 03 94 00
19	Ring (Stainless Steel)	
A	Special tool for sleeve installation	11 12 03 98 00

Air Inlet