

3" (ND80) NEATFLOW MKIV

Bottom Discharge
 VN3

The Perolo 3" NEATFLOW™ MKIV external spring footvalve is designed to be used as a bottom discharge for chemicals and liquid foodstuff products carried in tank containers and IBC's. The external spring design is perfectly suited to tanks containing viscous fluids and allows easy cleaning and maintenance - Discharge time improved - compact design



SPECIFICATION	
Nominal diameter	80 mm (3")
Weight	20.7 Kg
Inlet flange	8 holes x Ø14 on a 178 PCD
Outlet flange	3" BSP or 3" CAMLOCK
Working pressure	4 Bar
Test pressure	6 Bar
Working temperature	-40° to +150°C (HT +220°C)
Design temperature	-40° to +200°C (HT +250°C)

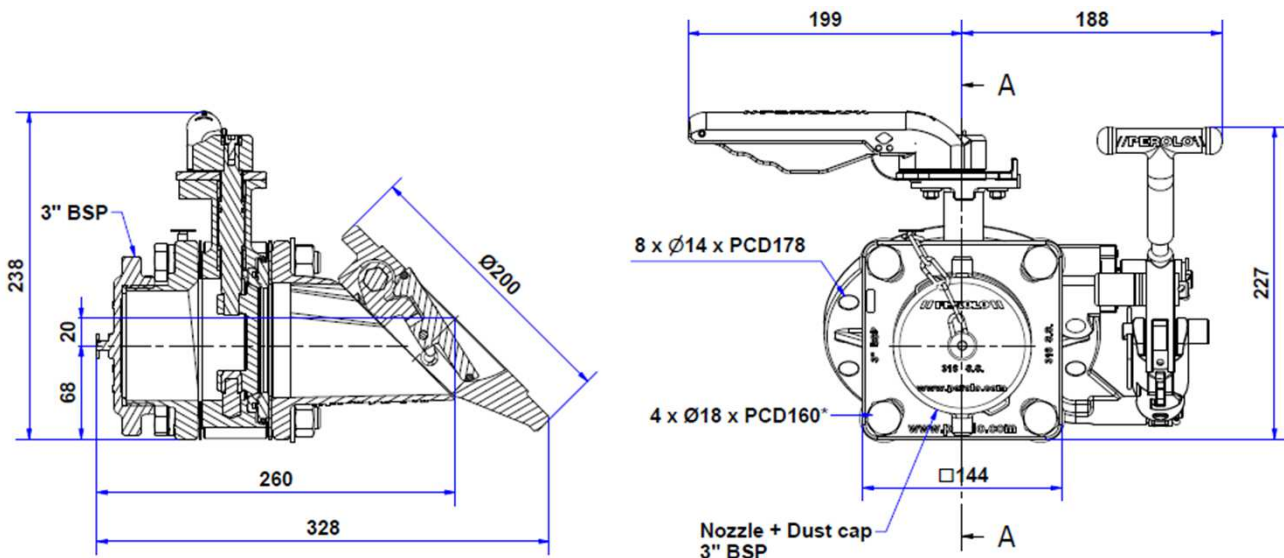
NB: temperature range vary according to o'ring material

CONFORMITY, CERTIFICATION & APPROVAL
ADR / IMDG / RID / EN14433 / EN14432
Approved by : Bureau Veritas - RMR (footvalve & butterfly valve)

STANDARD FEATURES (See Codification for option)	
Made of (material)	316L / 1.4409 stainless steel
Angle	45°
Body length	-
O'rings material	FEP/Silicone
Seals material	PTFE
Operating	Side operated handle
Footvalve spring	Spring outside the tank allows easier cleaning

ACCESSORIES	
45° weld-in flange	11 90 59 00 00
30° weld-in flange	11 91 16 00 00
Flange gasket	12 91 20 00 00
Screw kit	12 91 61 94 00

DIMENSIONAL DRAWING



*other drilling options on request

drawing of 45° footvalve, for drawing of 30° footvalve please contact our sales department

Due to our policy of continuous product improvement, specifications may change without notice - Specification sheet PWA 11 16 93 20 00 B

It is the customer's responsibility to check the compatibility between valves material and transported product.

PEROLO SAS, 69 Rue des Maçons, 33390 Blaye, FRANCE -Phone : + 33 (0)5 5742 67 00 - Email : sales@perolo.com



BOTTOM DISCHARGE

CODIFICATION

STANDARD PART NUMBER

45°: VNX3	4	A	X	1	.	.	S	B	W	.	.	.
30°: VNF3	3	A	X	1	.	.	S	B	W	.	.	.

YOUR PART NUMBER

45°: VNX3	4	A	X									
30°: VNF3	3	A	.									

OUTLET ANGLE

45°	4
30°: only in MKII NF33 version	3

INLET FLANGE

8 x Ø14 x 178 PCD	A
-------------------	---

MATERIAL

316L stainless steel (45° version)	X
316L stainless steel (30° version)	.

OUTLET FLANGE

Square flange 4 x Ø18 x 160 PCD	1
Square flange 4 x M16 x 160 PCD	2

STEAM HEATING

Without	.
With steam heating	V

CONICAL POPPET

Without	.
With conical poppet	K

2ND CLOSURE VALVE - others on request

Clamped butterfly valve ND 80	S
-------------------------------	---

NOZZLE & CAP

BSP Nozzle with cap	B
BSP Nozzle without cap	N
Camlock Nozzle	C

REMOTE CONTROL & CABLE

Without	.
With remote control lever, no cable	W
With remote control lever & cable	WR

HIGH TEMPERATURE

Without (WT +190°C)	.
With High temperature (WT +220°C)	HTA

PNEUMATIC ACTUATOR

Without	.
With	P

HANDLE

Standard Handle	.
Without	Z
L Handle	L
Short Handle	C
Left L Handle	G



BOTTOM DISCHARGE