



The 4" TANKFLY clamped butterfly valve is designed to be clamped between 2 flanges or directly onto the pipe work.

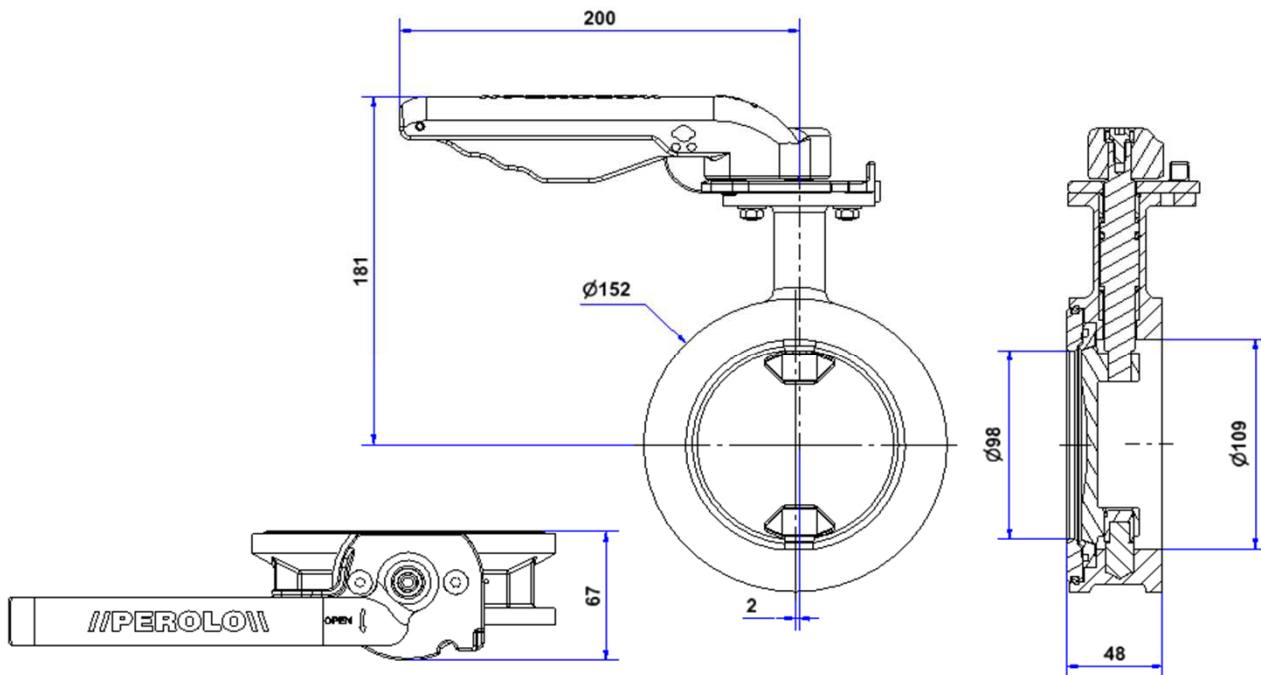
SPECIFICATION	
Nominal diameter	100mm (4")
Weight	4.3 Kg
Inlet flange	Clamped between DIN or ANSI Flange
Outlet flange	Clamped between DIN or ANSI Flange
Working Pressure	7 Bar
Test Pressure	10.5 Bar
Working Temperature	-40° to +150°C
Design Temperature	-40° to +190°C

CONFORMITY, CERTIFICATION & APPROVAL
Comply with ADR / IMDG / RID / EN14432
Approved by Bureau Veritas

STANDARD FEATURES (See Codification for option)	
Made of (material)	316L / 1.4409 stainless steel
Compact Design	Face to face 48 mm
Operation	Handle - 1/4 turn lockable
Closure plate seal	PTFE

ACCESSORIES	
Weld-in flange	11 91 37 00 00
Seal	11 15 26 00 01
Adaptor flange	11 94 99 00 00

**DIMENSIONAL DRAWING**



#### CODIFICATION

STANDARD PART NUMBER

TP10 X 7 T .

YOUR PART NUMBER

TP10 7 T .

MATERIAL

316L / 1.4409 stainless steel	X
904L stainless steel	U

MAWP

7 bar	7
-------	---

SEAL MATERIAL

PTFE seal	T
-----------	---

HALAR COATING

Without	.
---------	---

\*for coated options, please see high corrosion catalogue

