

INSTALLATION (TOP DISCHARGE)

CAUTION : Tankfly must be in closed position when the valve is fitted on the tank.

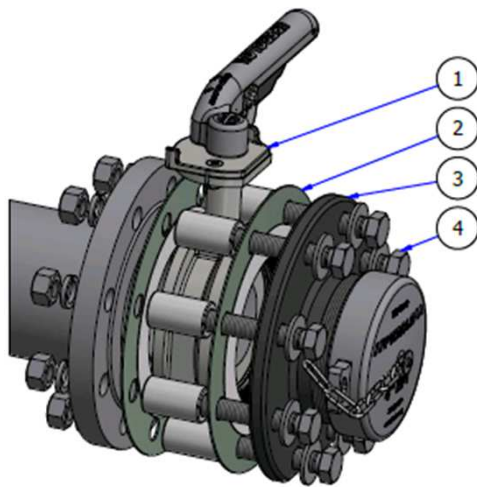
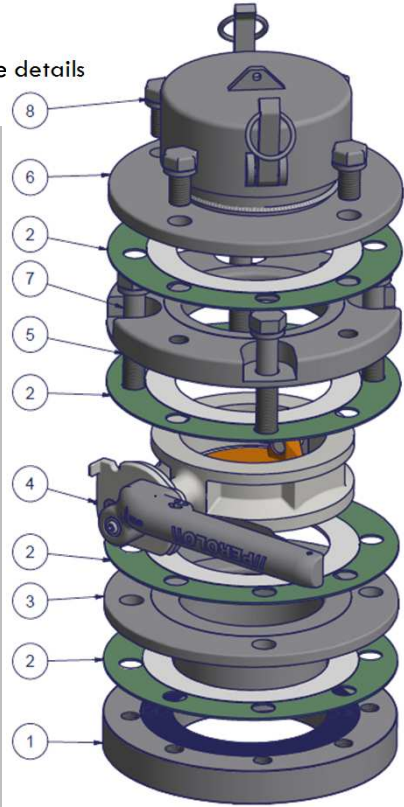
To assembly the 4" Tankfly clamped butterfly valve:

1. Ensure that the Inlet (tank side) flange is clean; free from dirt and grit.
2. Align holes in gasket to studs.
3. Center the TANKFLY with weld in flange hole
4. Mount outlet gasket and blind flange and secure using bolting kit (9).

The required tightening torque is 40 N.m +/- 5. Please refer to PWAGEN001 for more details

The valve BODY flange should be in contact with weld-in flange when tightened.

ITEM	DESCRIPTION	SPECIFICATION	PART N°
6	Camlock nozzle	Ext Ø 200mm, drilling 4 x 18 x 180 PCD , 316L/1.4404	on request
8	Screw kit M16-30	4 x M16-30 screws & 4 x grower washers, 304L/1.4301	11 90 01 92 00
7	Screw kit M16-100	4 x M16-100 screws & 4 x washers & 4 x nuts, 316L	12 85 57 92 00
5	Adaptor flange	Ext Ø200mm, 4 x 18mm x 180 PCD & 4 x M16 x 180 PCD, 316L	11 94 99 00 00
4	4" TANKFLY clamped	4" clamped butterfly valve, 316L/1.4404	TP10X7T
3	Syphon tube	4" syphon tube, 4 x Ø18 x 180PCD, 316L/1.4404	11 94 98 00 00
2	Seal	Ext Ø 220mm, int Ø 117mm, 8 x 18 x 180 PCD, PTFE	11 15 26 00 01
1	Weld in flange	Ext Ø220mm, int Ø116mm, 8x M16x180PCD, th. 26.5mm, 316L	11 91 37 00 00



ITEM	DESCRIPTION	SPECIFICATION	PART N°
4	Screw kit M16-100	8 x M16-100 screws, 8 x washers, 8 x grower washers & 4 x nuts, 316L, 8 spacers	11 16 31 91 00
3	4" NPT nozzle	Round outlet nozzle, 4" NPT, including cap, gasket and chain, 8 x 18 x 180 PCD	1116315000
2	Seal	Ext Ø 220mm, int Ø 117mm, 8 x 18 x 180 PCD, PTFE	11 15 26 00 01
1	4" TANKFLY clamped	4" clamped butterfly valve, 316L/1.4404	TP10X7T
2	Seal	Ext Ø 220mm, int Ø 117mm, 8 x 18 x 180 PCD, PTFE	11 15 26 00 01

if a piping system linked to the tank is installed on the process side of the valve, we recommend to have a flexible hose in-between the valve and the piping system to avoid any additional stress on the fastening studs

Due to our policy of continuous product improvement, specifications may change without notice - Installation sheet PWA 11 17 01 30 00 A

It is the customer's responsibility to check the compatibility between valves material and transported product.

PEROLO SAS, 69 Rue des Maçons, 33390 Blaye, FRANCE -Phone : + 33 (0)5 5742 67 00 - Email : sales@perolo.com

