

2" (ND50) SAFETY RELIEF VALVE

SINGLE ACTING PRESSURE OR VACUUM SRV YAK VXS5 & VXP5(PED)



2" YAK VX safety relief valve - designed to protect the tank from any over-pressure or any vacuum excess - Made of 316 / 1.4408 stainless steel, this small product is suitable for road tankers dedicated to the transport and storage of chemicals and liquid foodstuff.

SPECIFICATION	
Nominal diameter	50 mm (2")
Weight	1,5 kg
Connection	2" BSP or NPT
Pressure settings	from 0.02 to 3 Bar
Vacuum settings	from 20 to 800 mBar
Working Temperature	-40° to +190°C (HT +250°C)

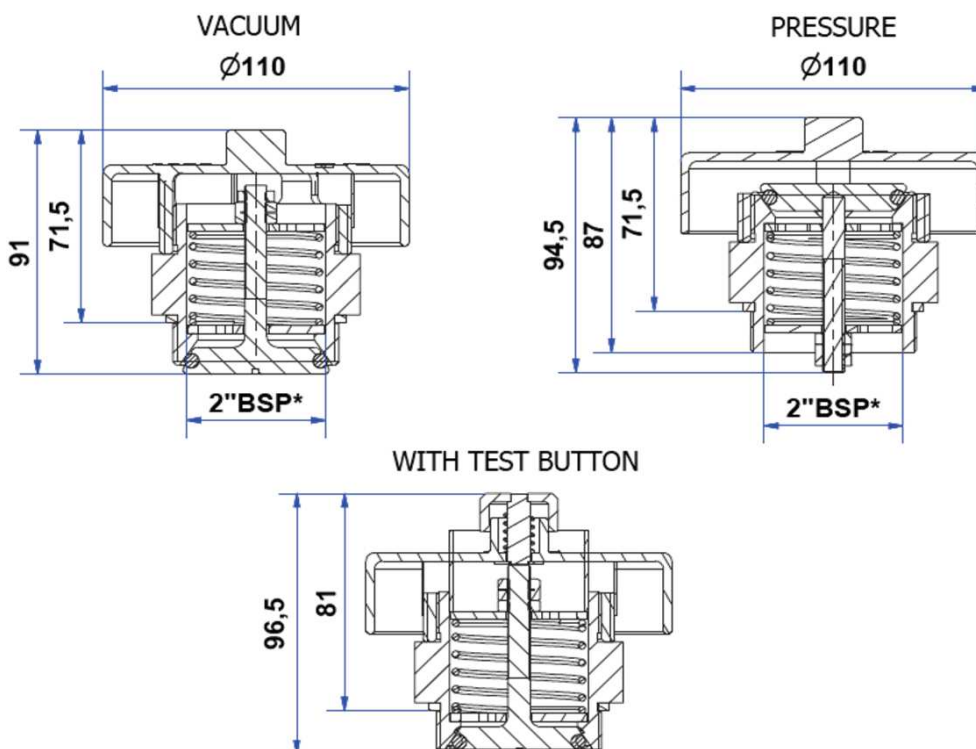
*Temperature range may vary according to the seal material

CONFORMITY & CERTIFICATION	
Complies with ADR / IMDG / RID	
Notified Body : Lloyd's Register Verification	
PED (for VXP5)	
PED 2014/68/EU - Category IV - Module H1 - Fluid gr.1	
STANDARD FEATURES (See Codification for option)	
Made of (material)	316 / 1.4408 stainless steel
Setting Gasket	PTFE
O'rings material	FEP silicone / PFA silicone/ Viton / Nitrile / Foodstuff Nitrile

ACCESSORIES	
BSP Weldin flange	11 90 44 00 00
PTFE Flat Gasket	17 10 01 00 04
Burst Disc Adapt Flange	12 92 25 00 00

It is the responsibility of the user to ensure that the fluids in contact with the equipment are compatible with the materials listed in the product sheet

DIMENSIONAL DRAWING



Set pressure tolerance: Max (±3%; 0,1b/1,45 PSI)

2" (ND50) SAFETY RELIEF VALVE

SINGLE ACTING PRESSURE OR VACUUM SRV YAK VXS5 & VXP5(PED)

CODIFICATION

STANDARD PART NUMBER: VXP5/VXS5 BF V 21 F Z P G

YOUR PART NUMBER: VXS5/VXP5

OUTLET CONNECTION	
2" BSP male	BF
2" NPT male	NF

PRESSURE OR VACUUM	
Pressure	P
Vacuum	V

PRESSURE OR VACUUM SETTING	
For pressure: **.** bar (ex: 2.6bar)	26
For vacuum: 0.** bar (ex: 0.21bar)	21

POPPET O'RING	
FEP/SILICONE	F
VITON	V
NITRILE (black)	N
PFA/SILICONE (HT +250°C)	H
FOOD (white nitrile FDA & CE1935)	A
SILICONE	S

SETTING GASKET	
PTFE	Z

COVERLID	
Without coverlid	S
With coverlid	C
With coverlid and test button	P

GAUZE FILTER	
Without	0
With	G



SAFETY RELIEF VALVE