



The 3" CHEMFLY light butterfly valve is designed to discharge liquid chemicals and foodstuffs carried in road tankers, rail tank cars or stored in static tanks.

SPECIFICATION

Nominal diameter	76 mm (3")
Weight	2.8 Kg
Inlet flange	4 holes x Ø14 x 130 PCD
Outlet flange	4 holes x M10 x 120 PCD
Working Pressure	7 Bar
Test Pressure	10.5 Bar
Working Temperature	-40° to +150°C
Design Temperature	-40° to +190°C

ACCESSORIES

Inlet Nozzle	17 12 09 80 00
Inlet gasket	17 12 21 10 00
Inlet screw kit	17 12 11 92 00
3" BSP short outlet nozzle	17 12 09 70 00
3" BSP long outlet nozzle	17 12 09 71 00
Outlet gasket	17 12 21 00 01
Outlet screw kit	17 12 11 91 00
3" BSP cap kit	12 85 59 91 00

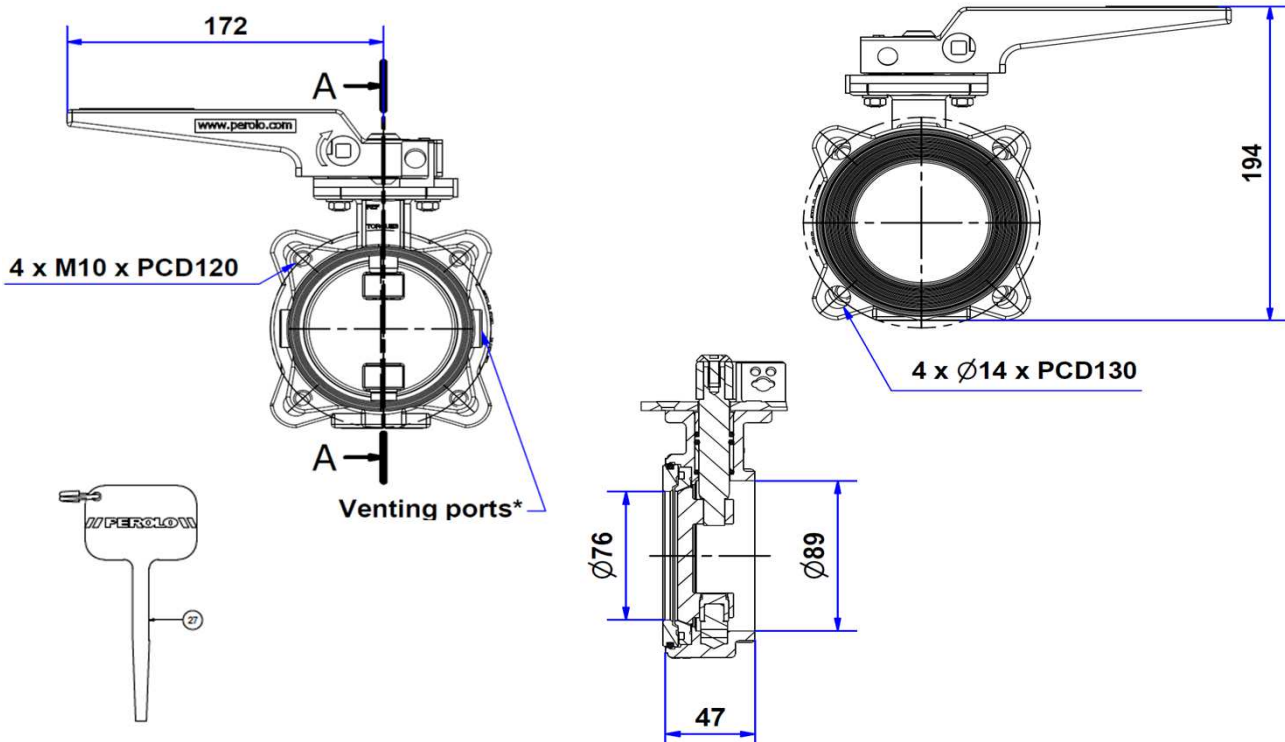
CONFORMITY, CERTIFICATION & APPROVAL

Comply with	ADR / IMDG / RID / EN14432
Approved by	Bureau Verita

STANDARD FEATURES (See Codification for option)

Made of (material)	316L / 1.4409 stainless steel
Compact Design	Face to face 47 mm
Operation	Locking Handle - 1/4 turn
Closure plate seal	PTFE

DIMENSIONAL DRAWING



BUTTERFLY VALVE

CODIFICATION

STANDARD PART NUMBER

LY3 1 1 0

YOUR PART NUMBER

LY3 1 1

INLET FLANGE

4 x Ø14 x 130 PCD

1

OUTLET FLANGE

4 x M10 x 120 PCD

1

VENTING PORTS

None	0
1 x 3/8" NPT	1
1 x 3/8" BSP	2
2 x 3/8" NPT	3
2 x 3/8" BSP	4
1 x 3/8" BSP	G
1 x 1/2" BSP	H

