



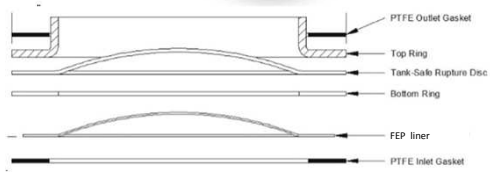
elfab

The Perolo bursting discs are designed to burst open and relieve an overpressure or vacuum condition at a predetermined differential pressure, and specific temperature.

PEROLO is an official **elfab** Bursting Disc Distributor

SPECIFICATION

- 316 stainless steel & Nickel Alloy
- Partially or fully FEP lined product contact area
- Bursting pressure, dimensions and shape depending on application
- A ND65 flanged SRV requires a ND80 (and not a ND65) bursting disc



CODIFICATION

STANDARD PART NUMBER: DR R 80 P 484 T 20 . .

YOUR PART NUMBER: DR P T 20

LINING OPTIONS	
partially lined	S
fully lined (incl. outer ring)	R

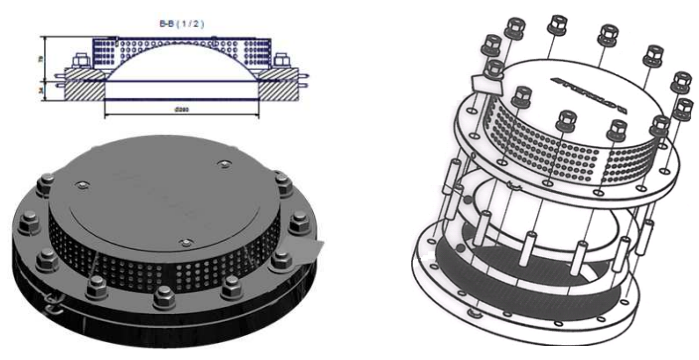
DIMENSIONS - others on request	
ND65	65
ND80	80
ND250	250

PRESSURE SETTING - others on request	
3,67 Bar +/- 5% Tolerance at 20°C	367
4,84 Bar +/- 5% Tolerance at 20°C	484

LINING MATERIAL	
Standard FEP lining	.
PTFE lining	PTFE
PFA lining	PFA

QUANTITY	
Single bursting disc	.
Pack of 10 bursting discs	K

Assembly 10" bursting disc for H2O2 application
 Bursting pressure: 4,5 or 6 Bar
 Height: 103 mm
 Including weld-in flange (316L st st), cover (316L st st), screw kit and gasket (PTFE)
 Part Number:
1197600045 (4,5 bar)
1197600060 (6 bar)



ACCESSORIES