

INSTALLATION

STORAGE

Keep the "MEGA SUPERVENTIX" safety relief valve in original packaging, until ready to use. This prevents ingress of dust and protects against impact damage.

OPERATING

The pressure relief valve (PRV) is designed to be installed on pressurized tanks static or transportation application. The main function of the relief valve is to quickly evacuate the over pressure of the tank specially in case of fire, the high flow capacity of the valve allow this quick flow relief (refer to specification sheet for flow rate values).

Check the compatibility between safety relief valve material and fluid before operating.

The valve operates as following :

The pressure setting is admised to be 1,1 x tank pressure service. This pressure setting is attained by the spring set compression on the pressure plate. When the set pressure is reached, the pressure plate opens and allows the over pressure to be evacuated, then where the pressure balance is reached the pressure plate closes.

In case of high pressure increase, the pressure plate translation is about 23 mm to open a maximum of surface to allow a high flow evacuation. The set pressure range is 0,1 to 7,4 bar. Service temperature -40°C to 190°C. A vacuum relief function can also be added and set from 30 to 410 mbar.

ASSEMBLY

Before assembly check the PRV set pressure is compatible with tank MAWP and the carried cargo compatible with PRV.

The relief valve should be installed in protected area where there is no risk for an operator to be in contact with the gas or liquid when valve opens in case of over pressure in the tank.

Make sure the "Mega-SUPERVENTIX" safety relief valve is compatible with the working pressure of the tank.

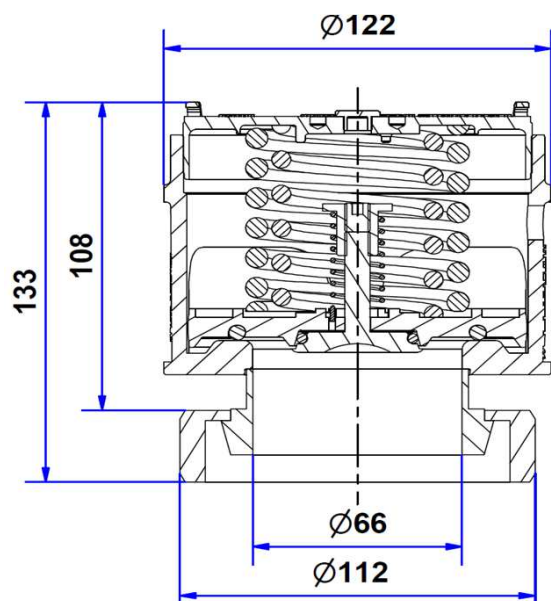
The valve set pressure is admised to be 1.1 x MAWP.

1. Remove the protective cap.
 2. Make sure that no dirt or grit is present on the receiving
 4. Manually screw on the valve bolt.
- Then keep turning until firmly tight using a 'C' Spanner. The tightening torque required is **70 to 130 N.m ±0,5**

CAUTION : Do not remove the wire weld seal between the body and cover to avoid to lose the warranty before first value periodical check.

The MEGA SUPERVENTIX™ safety relief vent valve is now operational.

The valve can be sealed to the tank using the wiring clamps located on the valve cover.



SAFETY RELIEF VALVE