



ND460 Multido manlid - a wide range to suit tank containers and storage tanks intended for chemical and foodstuff liquid products.

SPECIFICATION

Nominal diameter	460mm
Weight	22KG for 50mm neckring
Fastening points	4 or 6
Working Pressure	2 Bar to 4 Bar - Other on request
Test Pressure	3 Bar to 6 Bar
Working Temperature	-40° to + 200°C

Temperature range may vary according to the seal material

CONFORMITY, CERTIFICATION & APPROVAL

ASME / EN14025/ PED compliant on request

Lloyd's Register

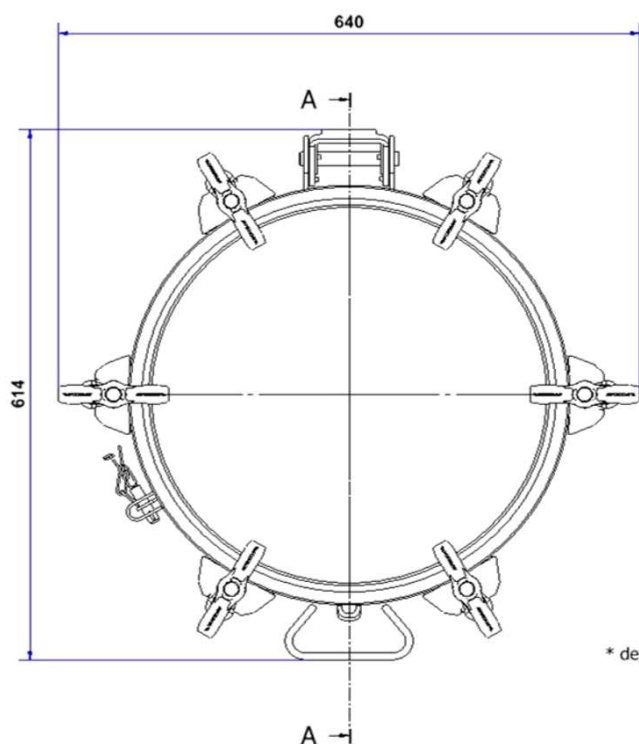
ACCESSORIES

Coverlid seal PTFE/EPDM	11 13 75 00 44
Swingbolt ass. (83mm)	12 93 86 91 00
Swingbolt ass. (83mm) with split pin	On request
6 points standard coverlid with TIR (316L)	CMSA54D6DT
6 points standard coverlid no TIR (316L)	CMSA54D6DS

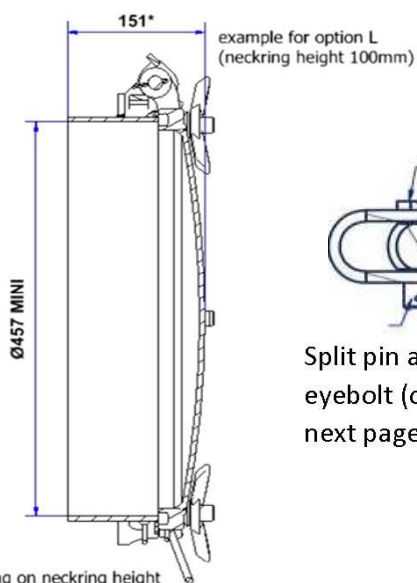
STANDARD FEATURES (See Codification for option)

Made of (material)	316L / 1.4404 stainless steel manlid
Seal material	seal not included
Neckring height	from 21 to 200 mm - Other on request
Neckring thickness	6mm - Other on request
Fastening	Swingbolts with captive wing nuts
Perfect tightness	Trapezoidal seal groove - Seal 14x14

DIMENSIONAL DRAWING



A-A (1 : 4)



Split pin axle for eyebolt (option 'C' next page)



CODIFICATION

STANDARD PART NUMBER

M S A 4 D 6 6 D 0 E XX T C 5

YOUR PART NUMBER

M A 0

MATERIAL

St.st 904L	U	St.st 316L	S
St.st Duplex	D	St.st 304L	Y
		C.st P355NL	P

INTERNAL DIAMETER

460 mm internal diameter	A
--------------------------	---

MAWP - other on request

4 Bar (test pressure 6 bar)	4
3 Bar (test pressure 4,5 bar)	3

FINISHING - other on request

No surface treatment	B
Acid etched	D
Electropolished	P

FASTENING POINTS

4 points	4	6 points	6
----------	---	----------	---

NECKRING THICKNESS

8 mm	8	6 mm	6
------	---	------	---

NECKRING HEIGHT - other on request

21 mm (low profile)	F
24 mm (low profile)	A
58 mm (standard)	E
97 mm (standard)	D
150 mm (standard)	I

PROTUSION HEIGHT

No protusion	0
--------------	---

COMPENSATED NECKRING-oth. on request

No compensated neckring	E
70 mm width & 6 mm thick	F
85 mm width & 8 mm thick	G

COMP. NECKRING RADIUS-oth. on request

2nd & 3rd digit eg: radius 1 <u>200</u> mm	20
No radius	XX

SEALING

1 sealing	S	T.I.R. sealing	T
-----------	---	----------------	---

SWINGBOLTS - other on request

Standard swingbolts in 304 SS - wing nut in Brass	B
Swingbolts in 304 SS - wing nut in Brass, split pin	C
Safebolt in SS - wing nut in SS	S

ASSEMBLY OPTIONS

fully assembl.	1	not assembled	5
----------------	---	---------------	---

