

MAINTENANCE



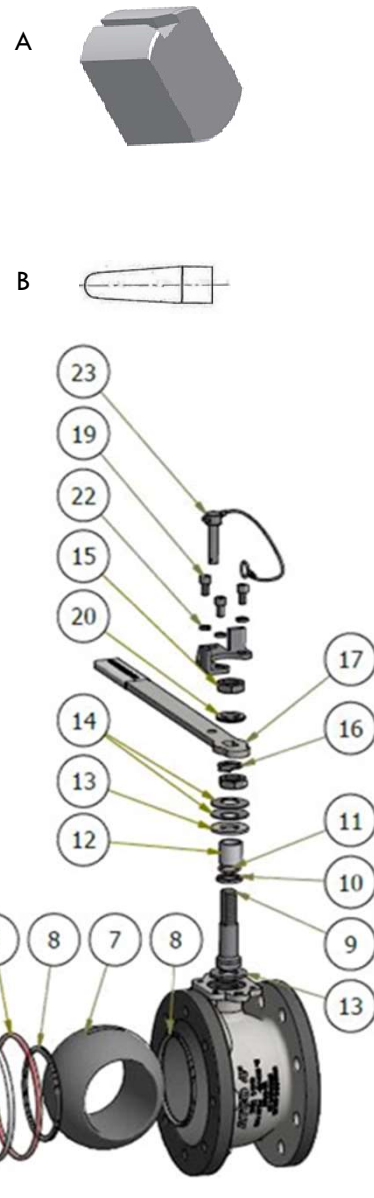
ITEM	QTY	DESIGNATION	PART N°	
			Standard	High Temp
Ball seals kit: 11 14 21 90 00			on request	
8	2	Ball seals (PTFE / PTFE/Graphite)	11 14 21 00 02	11 14 21 00 05
6	1 / 2	O'ring (FEP / PFA/Silicone)	70 10 17 00 42	70 10 17 00 66
5	1	O'ring (Viton)	70 10 01 02 92	/
Spindle seals kit: 11 12 52 93 00			on request	
12	1	Bearing bush (PTFE)	11 12 52 00 09	11 12 52 00 27
11	1	O'ring (FEP encapsulated)	70 10 15 00 91	70 10 17 00 60
10	1	Spindle seal (PTFE)	11 12 52 00 10	11 12 52 00 10
Ball kit:				
7	1	Solid ball (stainless steel)	11 14 21 00 01	
7	1	Hollow ball (stainless steel)	11 14 21 00 04	
Spindle kit: 11 12 71 95 00				
9	1	Spindle (stainless steel)	11 12 52 00 24	
13	2	Washer (stainless steel)	-	
14	2	Elastic washer (stainless steel)	-	
15	2	Nuts (stainless steel)	-	
16	1	Stop washer (stainless steel)	-	
20	1	Washer (stainless steel)	-	
Bolting:				
19	3	Screw, (stainless steel)	70 13 01 37 15	
22	3	Washer, (stainless steel)	70 13 26 37 18	
23	1	Stop pin sealing (stainless steel)	11 14 21 93 00	
Handle kit: 11 12 71 97 00				
17	1	Handle (stainless steel)	11 12 52 00 20	
	1	Handle cap, nitrile	-	
15	2	Nuts (stainless steel)	-	
16	1	Stop washer (stainless steel)	-	
Clamping ring kit (stainless steel): 11 14 21 91 00				
2	1	Clamping ring (stainless steel)	11 14 21 00 03	
2	N/A	Clamping ring (carbon steel)*	19 14 01 00 03	
4	8	Washers (stainless steel)	70 13 26 37 02	
3	8	Screws M16 (stainless st.)	70 13 01 37 34	
Tools kit:				
A	1	Spindle assembly tool	11 14 21 97 01	
B	1	O'ring assembly tool	11 12 71 93 02	

*Carbon st clamping ring kit on request (not included in st st kit)

Material of the parts are indicated for Stainless Steel Version.
It may vary in HALAR Coated version.
Please refer to HIGH CORROSION Catalogue for more details

Nb: Perolo recommends

- the spindle seals should be changed simultaneously to maintain the ball valve spindle perfectly tight.
- both ball gaskets should be changed simultaneously
- when clamping ring is changed we recommend to also order ball seals kit



tightening torque 120 N.m.+/-5

BALL VALVE