

3" (ND80) SAFETY RELIEF VALVE

HIGH FLOW FLANGED MEGA SUPERVENTIX MG80



The Perolo 3" MEGA SUPERVENTIX™ safety relief valve is designed to protect tanks against accidental overpressure or excessive vacuum. This product has a very high flow performance, even more than the standard 3" Mega.

SPECIFICATION	
Nominal diameter	80 mm (3")
Weight	5 kg
Connection	4 slotted holes x Ø18 on a 145 to 152.4 PCD
Pressure settings	2.18 / 3.30 / 3.75 / 4.40 Bar
Vacuum settings	0.410 Bar
Working Temperature	-40° to +190°C

*Temperature range may vary according to the seal material

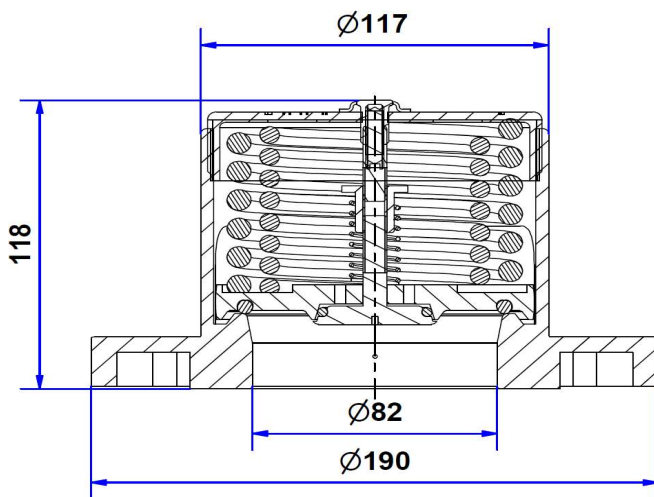
CONFORMITY & CERTIFICATION	
Complies with ADR / IMDG / RID / ISO 4126-1	
Notified Body : Lloyd's Register Verification - RMR	

STANDARD FEATURES (See Codification for option)	
Made of (material)	316 / 1.4408 stainless steel
Setting Gasket	PTFE
O'rings material	FEP silicone - others on request

ACCESSORIES	
Weld-in flange	12 92 03 00 00
Recess flange	11 90 63 00 00
Seal	12 92 04 00 00
Screw kit	11 10 09 91 00
Pressure gauge	70 21 02 00 24

It is the responsibility of the user to ensure that the fluids in contact with the equipment are compatible with the materials listed in the product sheet

DIMENSIONAL DRAWING



Set Pressure			Measured flow rate at 120 % without gauze		Certified flow rate with the federal Register coefficient 90% without gauze	
Bar	KPa	PSIG	Sm ³ /s	Scfm	Sm ³ /s	Scfm
Max (±3% SP; 0,1B/1,45PSI)						
2,18	218	31,6	3,2	6789	2,88	6110
3,3	330	47,8	4,59	9725	4,13	8752
3,75	375	54,4	5,09	10785	4,58	9707
4,4	440	63,8	5,87	12438	5,28	11194

Flow measurement conditions: 101.3 kPa at 15°C

Flow reduction with gauze <12%

3" (ND80) SAFETY RELIEF VALVE

HIGH FLOW FLANGED MEGA SUPERVENTIX

MG80

CODIFICATION

STANDARD PART NUMBER

MG80	S	44	T	21	S	.
------	---	----	---	----	---	---

YOUR PART NUMBER

MG80			T			
------	--	--	---	--	--	--

BODY DRILLING - Other on request

4 slots x Ø18 x 145-152.4 PCD with 1/4" BSP connection	S
4 slots x Ø18 x 145-152.4 PCD with 1/4" BSP connection and plug	P

PRESSURE SETTING - Other on request

No pressure	00
. bar (ex: 4.4bar)	44

SETTING GASKET

FEP	T
-----	---

VACUUM SETTING - Other on request

No Vacuum	.
0.** bar (ex: 0.21 bar)	21

FLAME PROOF GAUZE

With	G
Without	S

GAUGE PROTECTION

With	P
Without	.

