

2 1/2" (ND65) SAFETY RELIEF VALVE

DN65 FLANGED MEGA SUPERVENTIX MX65S/P & MP65S/P(PED)



2 1/2" MEGA SUPERVENTIX™ flanged safety relief valve - designed to protect tanks against accidental overpressure or excessive vacuum. With a smart compact design, the 2 1/2" MEGA SUPERVENTIX™ has a high flow performance.

SPECIFICATION

Nominal diameter	65 mm (2 1/2")
Weight	5 kg
Connection	4 slotted holes x Ø18 on a 145 to 152.4 PCD
Pressure settings	From 0.5 to 7.4 Bar
Vacuum settings	From 50 to 410 mBar
Working Temperature	-40° to +190°C (HT +220°C)

*Temperature range may vary according to the seal material

CONFORMITY & CERTIFICATION

Complies with ADR / IMDG / RID / ISO 4126-1

Design Approval: Lloyd's Register - RMR

PED (for MP65 only)

PED 2014/68/EU - Category IV - Module H1 - Fluid gr.1

Lloyd's Register Espana

STANDARD FEATURES (See Codification for option)

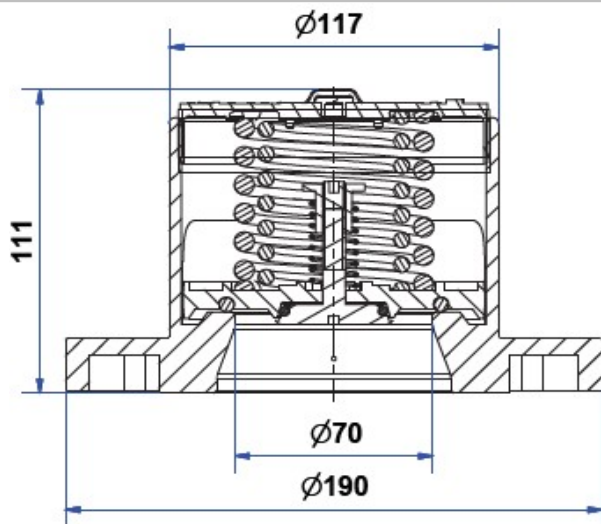
Made of (material)	316 / 1.4408 stainless steel
Setting Gasket	PTFE
O'rings material	FEP silicone - others on request

ACCESSORIES

Weld-in flange	12 92 03 00 00
Recess flange	11 90 63 00 00
Seal	12 92 04 00 00
Screw kit	11 10 09 91 00
Stud kit	17 12 12 91 00
Pressure gauge	70 18 06 00 95

It is the responsibility of the user to ensure that the fluids in contact with the equipment are compatible with the materials listed in the product sheet

DIMENSIONAL DRAWING



Flow measurement conditions: 101.3 kPa at 15°C
Flow reduction with gauze <12%

Set pressure			FLOW RATE AT 120% MX65				FLOW RATE AT 110% MX65			
			Measured flow rate at 120% without gauze		Certified flow rate with the federal register coefficient 90% without gauze		Measured flow rate at 120% without gauze		Certified flow rate with the federal register coefficient 90% without gauze	
Bar	kPa	PSIG	Sm³/S	Scfm	Sm³/S	Scfm	Sm³/S	Scfm	Sm³/S	Scfm
Max (±3% SP; 0,1B/1,45PSI)										
2.18	218	31.6	2.56	5425	2.30	4883	1.98	4205	1.78	3785
3.75	375	54.4	3.92	8306	3.53	7475	3.34	7081	3.01	6373
4.4	440	63.8	4.48	9492	4.03	8543	3.9	7356	3.51	6620
7.3	730	105.9	6.99	14810	6.29	13329	6.4	13584	5.76	12226

Due to our policy of continuous product improvement, specifications may change without notice - Specification sheet PWA 11 10 51 20 00 F

It is the customer's responsibility to check the compatibility between valves material and transported product.

PEROLO SAS, 69 Rue des Maçons, 33390 Blaye, FRANCE -Phone : + 33 (0)5 5742 67 00 - Email : sales@perolo.com

2 1/2" (ND65) SAFETY RELIEF VALVE

DN65 FLANGED MEGA SUPERVENTIX MX65S/P & MP65S/P(PED)

CODIFICATION

STANDARD PART NUMBER

Standard: MX65 P 44 T 21 G . . .
 PED: MP65

YOUR PART NUMBER

MX65/MP65



SAFETY RELIEF VALVE

BODY DRILLING - Other on request

4 slots x Ø18 x 145-152.4 PCD with 1/4" BSP connection	S
4 slots x Ø18 x 145-152.4 PCD with 1/4" BSP connection and plug	P

PRESSURE SETTING - Other on request

No pressure	00
, bar (ex: 4.4bar)	44

O'RING MATERIAL

FEP/Silicone	T
PFA (High Temp 220°C WT at 4,4b)	H

VACUUM SETTING - Other on request

No Vacuum	.
0,** bar (ex: 0.21 bar)	21

FLAME PROOF GAUZE

With	G
Without	S

VACUUM TEST BUTTON

With	B
Without	.

HALAR COATING

Without	.
---------	---

For coating options please see high corrosion catalogue

GAUGE PROTECTION

With	P
Without	.