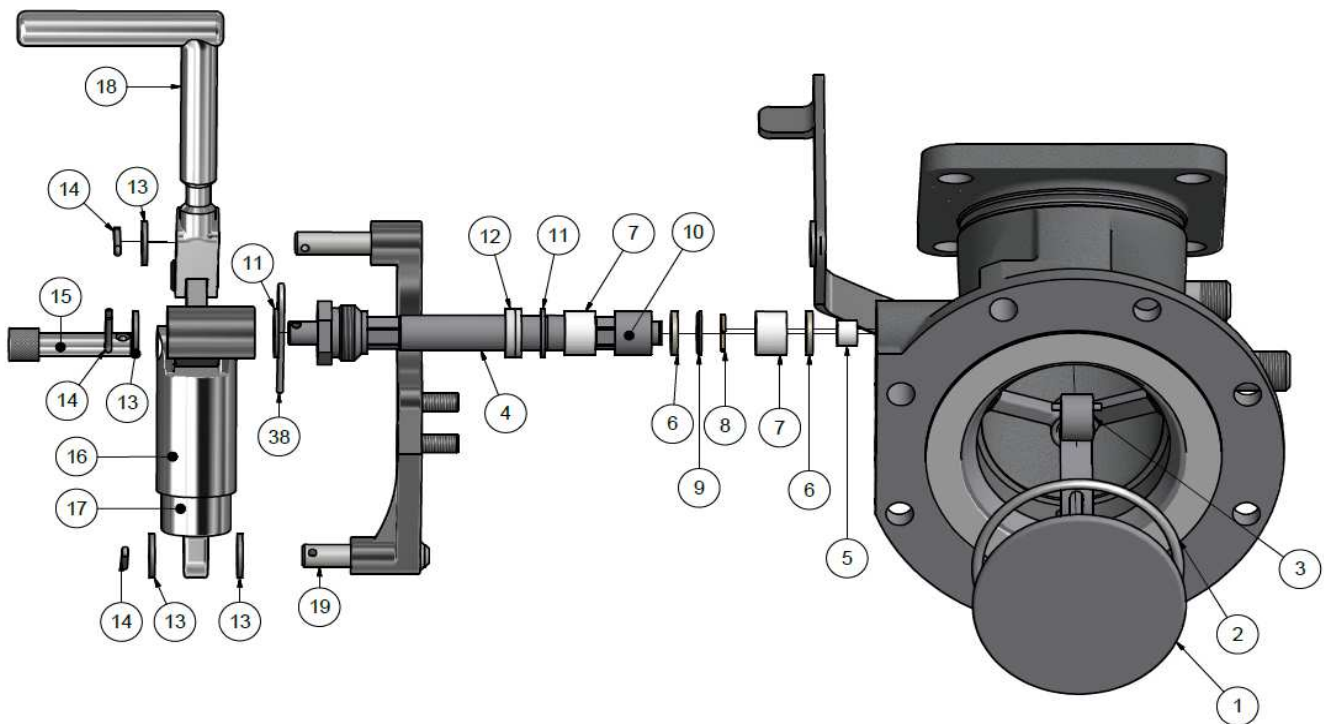


## 4" (ND100) NEATFLOW footvalve - NF4

### MAINTENANCE

Item	Qty	Designation	Part Number
4	1	<b>Spindle</b> Spindle, 316L/1.4404	<b>1711250001</b>
5	1	<b>Spindle seals kit</b> Spindle bush, PTFE & 25% Glass	<b>1111249500</b>
6	2	Elastic gasket, Ekonol / S.S.	
7	2	Spindle bush, PTFE & 25% Glass	
8	1	Elastic ring, 316L/1.4404	
9	1	Stop ring, 316L/1.4404	
10	1	Spacer, 316L/1.4404	
11	1	Packing gland, PTFE	
12	3	Packing ring, 316L/1.4404	
13	1	Washer, S.S.	
14	1	V-pin, S.S.	
3	1	<b>Lift fork kit</b> Lift fork, 316L/CF3M	<b>1116259200</b>
2	1	<b>Poppet seal</b> O'ring, FEP/Silicon	<b>1711029300</b>
1	1	<b>Poppet kit</b> Poppet, 316L/CF3M	<b>1111599200</b>
2	1	O'ring, FEP/Silicon	

Item	Qty	Designation	Part Number
16	1	<b>Spring system kit</b> Female MK2 case, 316/CF8M	<b>1111149912</b>
17	1	Male MK2 casting, 316/CF8M	
15	1	Removable shaft, 316L/1.4404	
19	1	V-pin, S.S.	
13	2	Washer, S.S.	
14	1	Beta pin, S.S.	
	1	Spring, S.S.	
38	1	Chain, 316L/1.4404	
	1	M6-16 screw, 304/1.4301	
18	1	<b>Handle kit</b> L handle, 316L/1.4404	
	1	Drive yoke, 316/CF8M	
	1	Connecting rod, 316/CF8M	
	1	Spindle roller, 304L/1.4307	
	2	Washer, S.S.	
	1	V-pin, S.S.	
	1	<b>Actuator kit</b> Cylinder, Aluminium & S.S.	<b>1711019500</b>
	1	Nut	



BOTTOM DISCHARGE

