

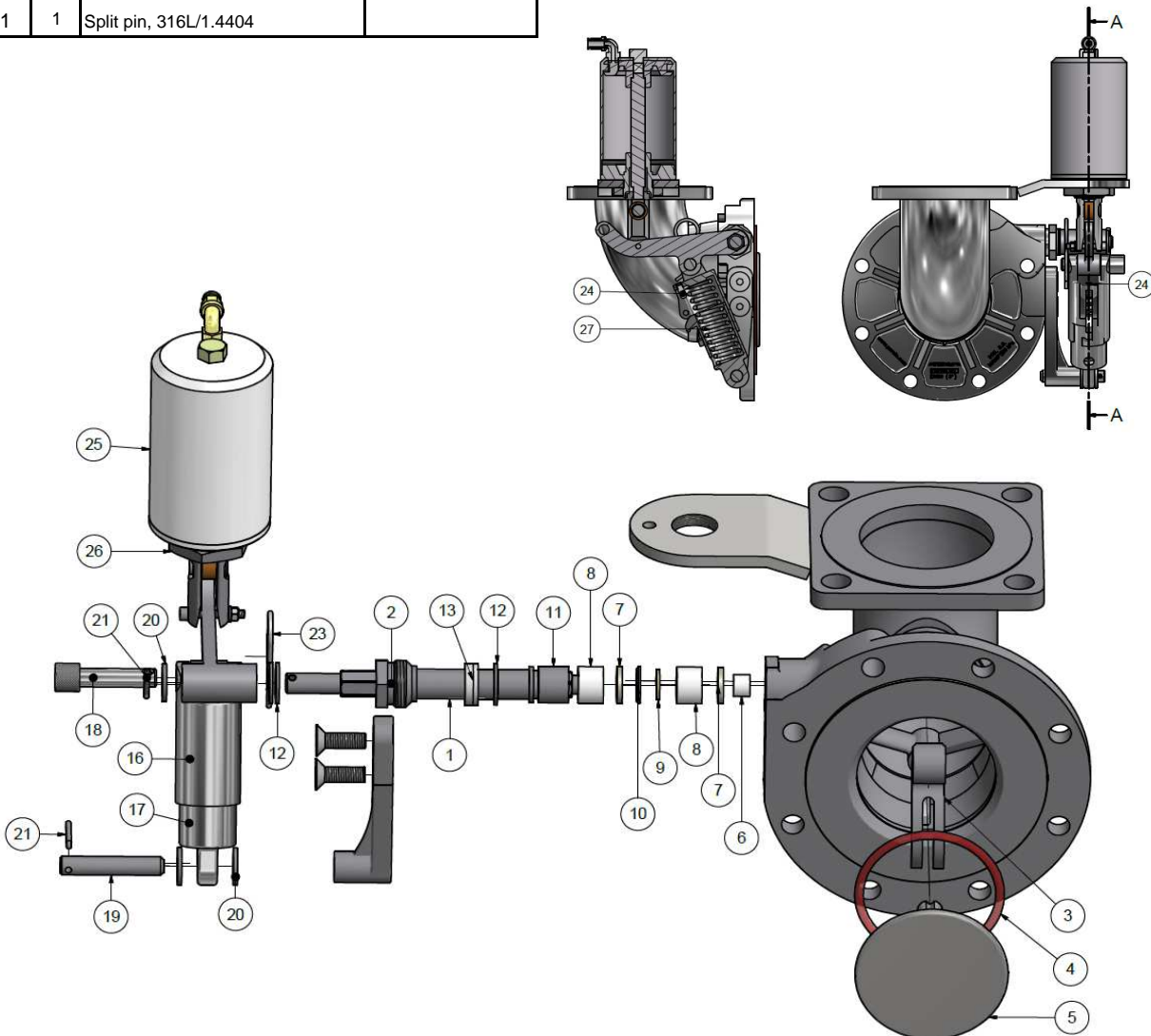
3" (ND80) CHEMFLOW pneumatic footvalve - CF39

with or without removable seat

MAINTENANCE 1/2

Item	Qty	Designation	Part Number
Spindle			
1	1	Spindle, 316L/1.4404	1711250001
Spindle seals kit			
6	1	Spindle bush, PTFE	1111249500
7	2	Gasket, PTFE Ekonol	
8	2	Spindle bush, PTFE	
9	1	Elastic ring, 316L/1.4404	
10	1	Stop ring, 316L/1.4404	
11	1	Spacer, 316L/1.4404	
12	1	Packing gland, PTFE	
13	3	Packing ring, 316L/1.4404	
20	1	Z12 washer, 316L/1.4404	
21	1	Split pin, 316L/1.4404	

Item	Qty	Designation	Part Number
Spring system kit			
16	1	Female MK2 case, 316/CF8M	1711719800
17	1	Male MK2 casting, 316/CF8M	
18	1	Removable shaft, 316L/1.4404	
19	1	Split pin, 316L/1.4404	
20	2	Z12 washer, 316L/1.4404	
21	1	Beta pin, 304/1.4301	
27	1	Spring, 301/1.4310	
23	1	Chain, 316L/1.4404	
24	1	M6-16 screw, 304/1.4301	
Spindle kit + spindle seals kit			



BOTTOM DISCHARGE

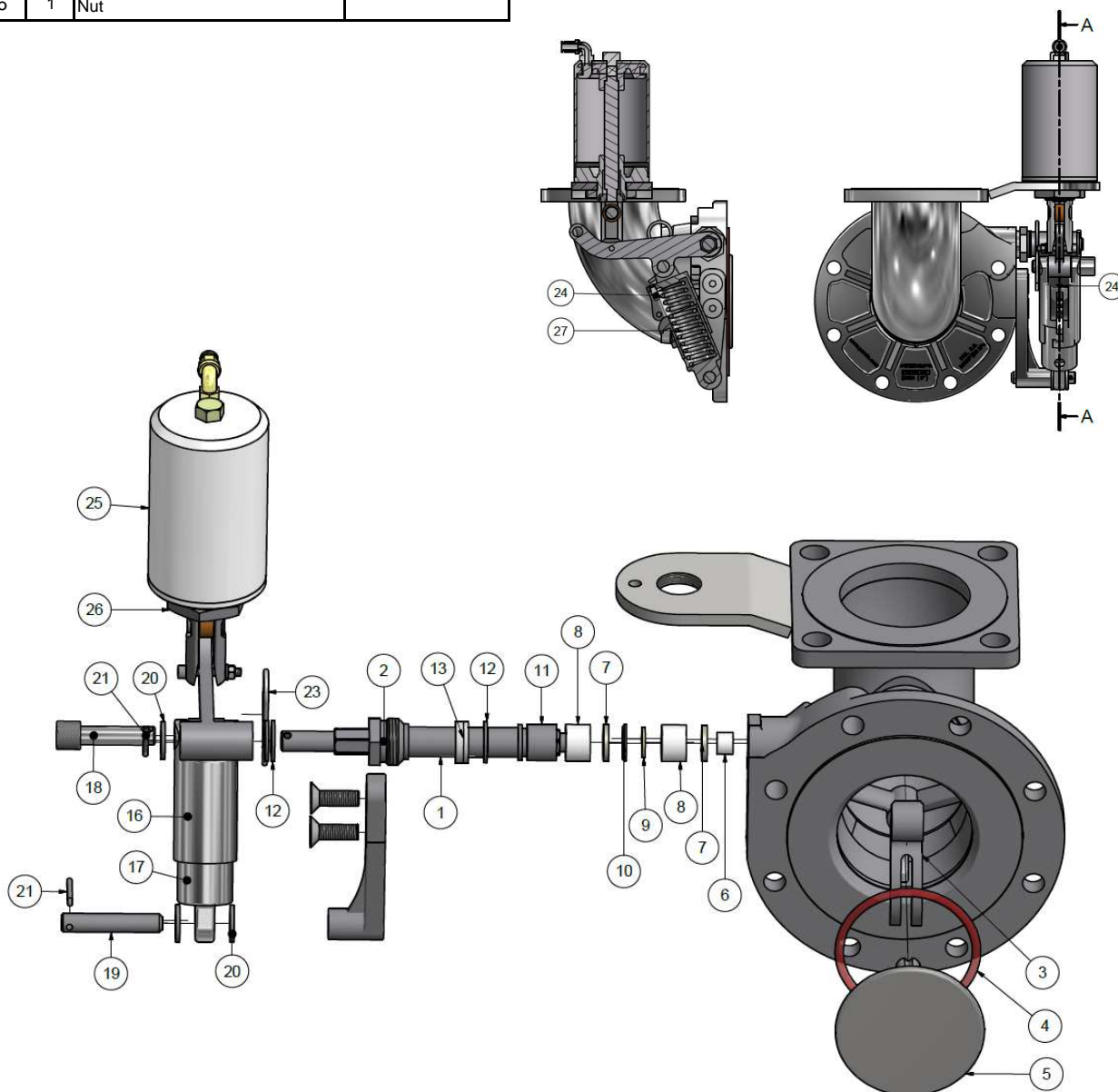
3" (ND80) CHEMFLOW pneumatic footvalve - CF39

with or without removable seat

MAINTENANCE 2/2

Item	Qty	Designation	Part Number
3	1	Lift fork Kit	1711669210
		Lift fork (type E), 316L/1.4404	
1	1	Removable seat kit	1711899000
		Removable seat	
		3" flat gasket, PTFE	
		O'ring, FEP/silicon	
		O'ring FEP/silicon	
25	1	Actuator kit	1711019500
26	1	Cylinder, Aluminium & st st	
		Nut	

Item	Qty	Designation	Part Number
4	1	Poppet Seal	1111249100
		O'ring, FEP/Silicon	
5	1	Poppet kit	1111249901
		Flat poppet, 316L/1.4404	
		O'ring, FEP/Silicon	
5	1	Congealing Poppet kit	1711019400
		Conical poppet, 316L/1.4404	
4	1	O'ring, FEP/Silicon	



BOTTOM DISCHARGE