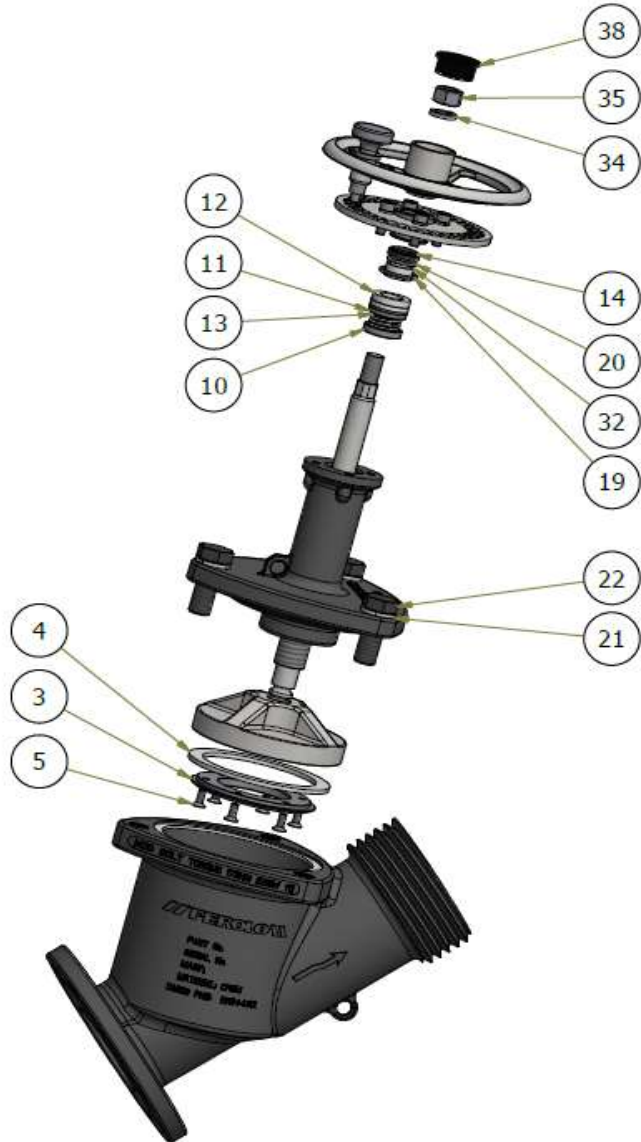


## MAINTENANCE



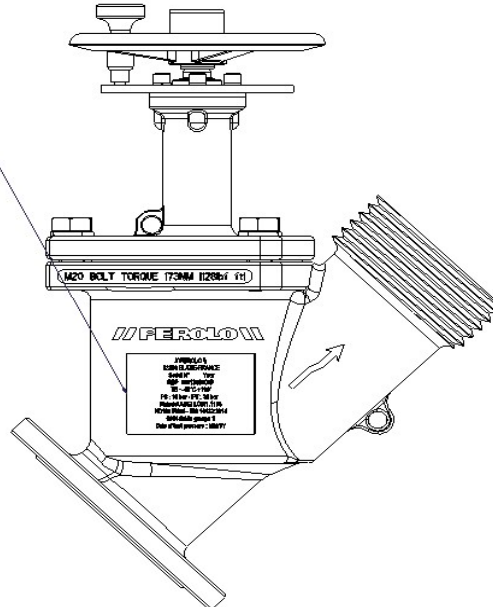
ITEM	QTY	DESIGNATION	PART N°
<b>Poppet kit : 19 11 33 90 00</b>			
3	1	Ring	19 11 33 00 05
4	1	Nitrile Gasket	19 11 28 00 04
5	6	M6 Screw	-
<b>Packing gland kit : 19 11 28 91 00</b>			
10	1	Ring for spring	-
11	1	Ring for spring	-
12	1	Gland Seal	19 11 28 30 00
13	1	Spring	17 10 35 00 14
<b>Seal kit : 19 11 28 92 00</b>			
-	1	Scraper seal	70 10 91 00 64
19	1	O'ring R22	70 10 01 02 22
20	1	O'ring R17	70 10 01 02 17
32	1	Bearing	19 11 28 00 31
<b>Screw kit : 119 11 33 94 00</b>			
21	3	W20 grower	-
22	3	M20 x55 screw	-
<b>Screw kit : 19 11 28 95 00</b>			
34	1	W16 grower	-
35	1	M16 nut	-
38	1	Plug	70 14 06 90 77



**BOTTOM DISCHARGE**

## BODY MARKING - 19 11 33 00 00 P (PED version)

// PEROLO \\  
33390 BLAYE-FRANCE  
Serial N° - Year  
REF: 1911330000P  
TS: -40°C +190°C  
PS: 16 bar - PT: 24bar  
Material A352 LCB/1.1156  
ND100 PN16 - EN 14432-2014  
CE 0094 fluide groupe 1  
Date of test pressure : MM/YY



## BODY MARKING - 19 11 33 00 00 (non PED version)

// PEROLO 33390 BLAYE-FRANCE \\  
Serial N°  
REF: 1911330000  
Working temperature: -40°C +190°C  
Working pressure: 16 bar - Test pressure: 24bar  
Material : A352LCB / 1.1156  
ND100 PN16 - EN 14432-2014

- 1) Manufacturer address
- 2) Serial number
- 3) Valve reference
- 4) Working temperature
- 5) Working pressure and test pressure
- 6) Body material
- 7) Nominal diameter and design code

