

3" NEATFLOW MKIV HIGH CORROSION ND80 Footvalve NX34



The Perolo 3" NEATFLOW™ MKIV HALAR external spring footvalve is designed to be used as a bottom discharge for corrosive chemicals carried in tank containers and IBC's. Wetted parts in Hastelloy C276, Hastelloy C22, Titanium or PVDF. Available in 45° (standard version) or 30°.

Caution: Please check the cargo compatibility with proposed materials

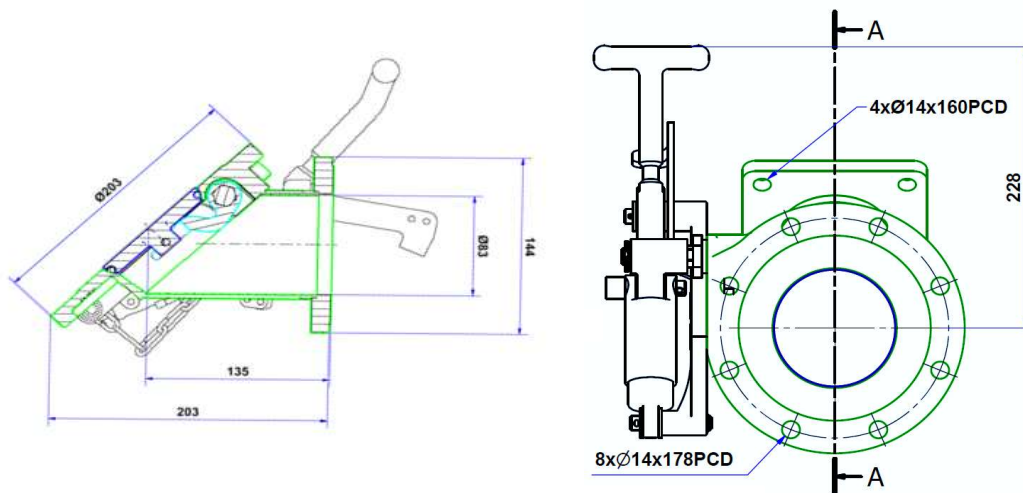
| SPECIFICATION | |
|------------------------|-------------------|
| Nominal diameter | 80 mm (3") |
| Weight | 9,5 kg |
| Inlet flange drilling | 8 x Ø14 x 178 PCD |
| Outlet flange drilling | 4 x Ø18 x 160 PCD |
| Working Pressure | 4 Bar |
| Test Pressure | 6 Bar |
| Working Temperature | -40° to +150°C |
| Design Temperature | -40° to +190°C |

NB: temperature range vary according to o'ring material & material internal parts

| CONFORMITY & CERTIFICATION | |
|---|--|
| ADR / IMDG / RID / EN14433 | |
| Bureau Veritas | |
| STANDARD FEATURES (See Codification for option) | |
| Made of (material) | Body: 316L/1.4409 & HALAR coated Poppet, pusher & spindle: Hastelloy, Titanium, FDA coated 316, PVDF (see p2) |
| Angle | 45° or 30° (MKII version) |
| Body length | 135mm from center to outlet |
| O'rings material | FEP/Silicone |
| Seals material | PTFE |
| Operating | Side operated handle or Pneumatic option |
| Footvalve spring | Spring outside the tank allows easier cleaning |

| ACCESSORIES | |
|--------------------|----------------|
| 45° Weld in flange | 11 90 59 00 00 |
| 30° Weld in flange | 11 91 16 00 00 |
| Seal | 12 91 20 00 00 |
| Screw kit | 11 11 27 93 00 |

DIMENSIONAL DRAWING (45° version)



- Halar coating thickness 500 µm
- High corrosion material, please see p2 for options

Due to our policy of continuous product improvement, specifications may change without notice - Specification sheet PWA 11 22 18 20 00 A

It is the customer's responsibility to check the compatibility between valves material and transported product.

PEROLO SAS, 69 Rue des Maçons, 33390 Blaye, FRANCE -Phone : + 33 (0)5 5742 67 00 - Email : sales@perolo.com



BOTTOM DISCHARGE

CODIFICATION

STANDARD PART NUMBER: NX3 4 A X 1 R H WR P

YOUR PART NUMBER: NX3 A 1 R

OUTLET ANGLE
 45° **4**
 30°: contact our sales department

INLET FLANGE
 8 x Ø14 x 178 PCD **A**

MATERIAL
 316L stainless steel **X**

OUTLET FLANGE - other on request
 Square flange 4 x Ø18 x 160 PCD **1**

HIGH CORROSION - halar coated body
 Halar coated body **R**

HIGH CORROSION - Poppet, spindle & pusher material (45° model)

| | |
|---|----------|
| Hast. C276 poppet, Hast. C276 spindle, Hast. C276 pusher WT -40°C + 150°C | H |
| FDA coated Hast. C276 poppet, Hast. C276 spindle, Hast. C276 pusher WT -20°C + 150°C | K |
| Titanium poppet, Titanium spindle, Titanium pusher WT -40°C + 150°C | T |
| Hast. C22 poppet, Hast. C22 spindle, Hast. C22 pusher WT -40°C + 150°C | Z |
| FDA coated Hast. C22 poppet, Hast. C22 spindle, Hast. C22 pusher WT -20°C + 150°C | F |
| PVDF poppet, Hast. C276 spindle, Hast. C22 pusher WT -20°C + 80°C | P |

for 30° model options, please contact our sales department

REMOTE CONTROL

| | |
|-----------------------------------|-----------|
| Without | 00 |
| With remote control lever | W0 |
| With remote control lever & cable | WR |

HANDLE

| | |
|-----------------|----------|
| Standard Handle | P |
| Without | Z |
| L Handle | L |
| Short Handle | C |
| Left L Handle | G |



BOTTOM DISCHARGE