



The Perolo ND80 ATCO™ FULL BORE self-contained ball valve is designed to be used as a fluid inlet/outlet valve.

SPECIFICATION	
Nominal diameter	80mm (3")
Weight	15 Kg
Inlet flange drilling	8 holes x Ø17 x 160 PCD*
Outlet flange drilling	8 holes x Ø18 x 160 PCD*
Working Pressure	16 Bar / 4 bar for HT°
Test Pressure	24 Bar / 6 bar for HT°
Working Temperature	STD:-40°C to +150°C/HT°:-40°C to +250°C
Design Temperature	190°C / 250°C for HT°

NB: temperature range vary according to o'ring material

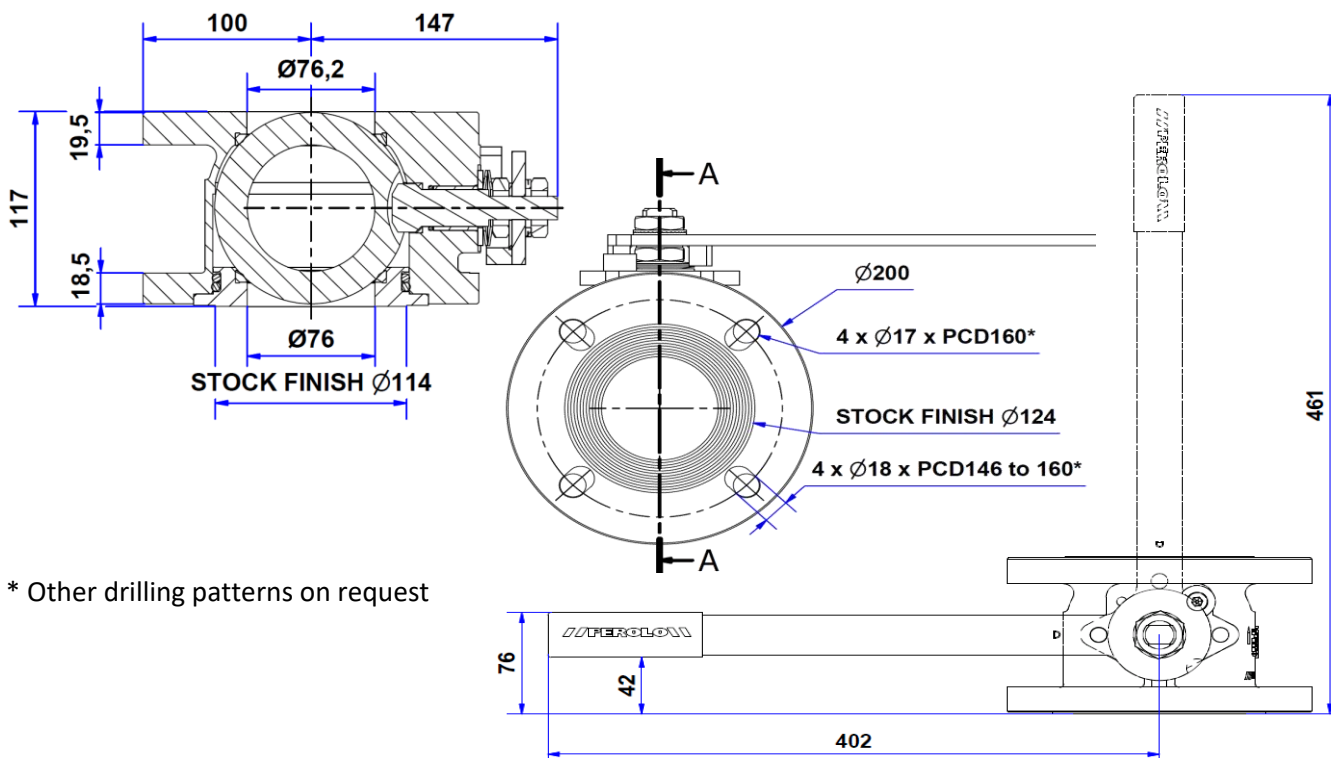
CONFORMITY, CERTIFICATION & APPROVAL	
Complies with ADR / IMDG / RID / EN14432	
Approved by Bureau Veritas, RMR, A-C-I	

STANDARD FEATURES (See Codification for option)	
Made of (material)	316L / 1.4409 stainless steel
Compact design	Face to face 117 mm
Operation	Handle 1/4 Turn (or Remote Control)*
Ball gaskets material	PTFE or PTFE/Graphite for HT°

\*clockwise opening for standard

ACCESSORIES	
Weld-in flange	11 90 36 00 00
Recess flange	11 90 98 00 00
Blind flange	11 95 90 00 00
Bolting Kit	11 17 07 95 00
Gaskets	12 91 40 00 00
Remote Control	on request
Screw kit	19 11 08 90 02

### DIMENSIONAL DRAWING



\* Other drilling patterns on request

#### CODIFICATION

STANDARD PART NUMBER

AFN8 X 16T 2 4 S 0 0 0

YOUR PART NUMBER

AFN8

**BODY MATERIAL** other on request

316L / 1.4409 stainless steel **X**

**SEAT MATERIAL & MAWP**

Standard PTFE: 16b MAWP, 150°C **16T**

High temp.: 4b MAWP, 250°C **4H**

**INLET FLANGE** - other on request

6 x Ø14 x 168.3 PCD **1**

8 x Ø17 x 160 PCD **2**

4 x Ø17 x 160 PCD **3**

8 slots x Ø18 x 160 to 168 PCD **4**

4 x Ø17 x 160 PCD & 6 x Ø14 x 168 PCD **5**

**OUTLET FLANGE** - other on request

4 open slots x Ø18 x min 146.1 PCD **1**

8 x Ø18 x 160 PCD (ISO PN16) **2**

8 slots x Ø18 x 152.4 to 160 PCD **3**

4 x M16 & 4 x Ø18 x 160 PCD **4**

4 slots x Ø18 x 146 to 160 PCD **5**

4 x M16 & 4 x Ø18 x 160 PCD shifted 22°30' **6**

4 x Ø19x152,4 PCD + 8xØ18 x 160 PCD **7**

8 x M16 x 160 PCD **8**

4 slots x Ø18 x 146 to 160 PCD (with cut side) **9**

**SEALING**

with **S**

Sealing & pin **N**

**PIN BRACKET ON OUTLET FLANGE**

with **P**

without **0**

**STEAM HEATING**

without **0**

with **S**

**HALAR COATING**

without **0**

For coated option, please refer to HIGH CORROSION Catalogue sheet

**HANDLE** other on request

standard **.**

left **L**



**BALL VALVE**