

# 2" BSP Threaded ATCO™ Heavy Duty ND50 Ball Valve AD5X16



The Perolo 2" ATCO™ self-contained ball valve is designed to be used as an air inlet or as a fluid inlet/outlet valve. With a super compact design, the 2" ATCO™ is light & economic.

SPECIFICATION	
Nominal diameter	50mm (2")
Weight	5.9 Kg
Inlet Connection	4 holes Ø 17 x 125 PCD
Outlet Connection	2" BSP or 2" NPT
Working Pressure	16 Bar
Test Pressure	24 Bar
Working Temperature	- 40° to +150°C (+250°C for HT)
Design Temperature	- 40° to +190°C

Temperature range vary according to the seal material

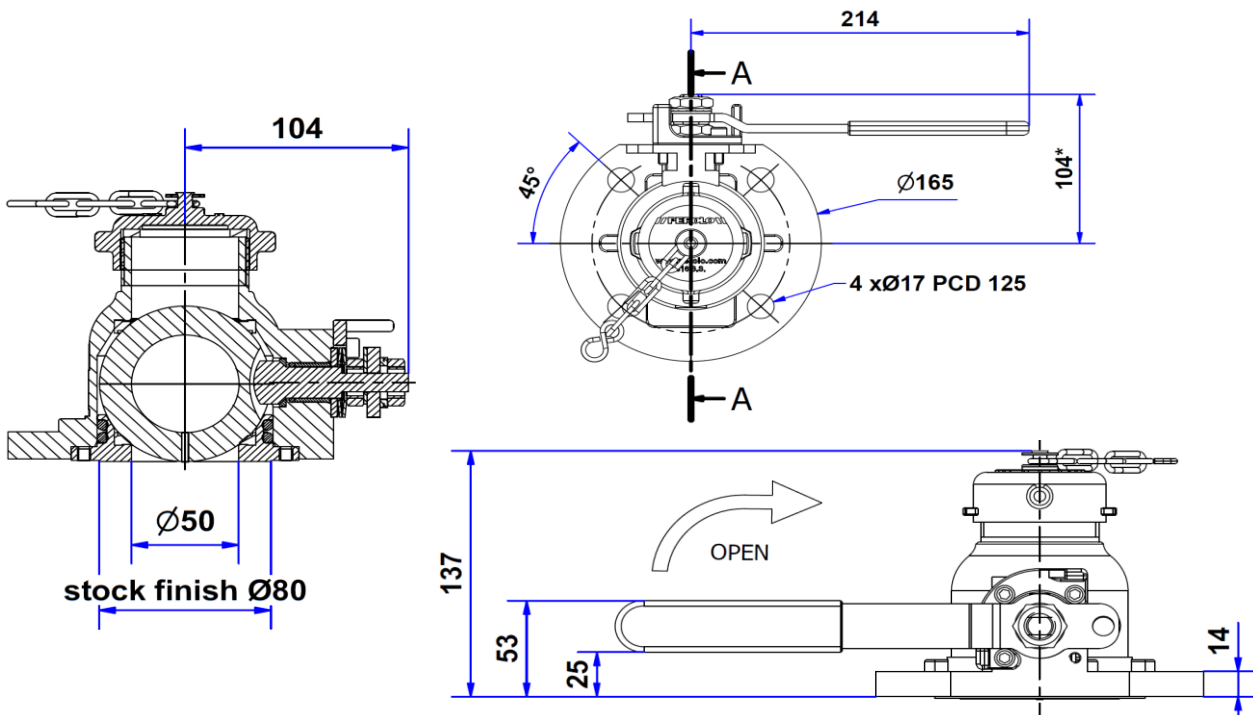
CONFORMITY, CERTIFICATION & APPROVAL	
Complies with ADR / IMDG / RID / EN14432	
Approved by Bureau Veritas - A.C.I	

STANDARD FEATURES (See Codification for option)	
Made of (material)	316L / 1.4409 stainless steel
Compact Design	Face To Face 137mm with Cap
Operation	Handle - 1/4 Turn or Remote Control*
Ball seals material	PTFE

\*clockwise opening for standard

ACCESSORIES	
Weld-in flange	11 90 25 00 00
Bolting kit	17 12 12 96 00
Remote control Handle	11 14 55 91 00
Remote control	RMT 53
Pressure gauge	70 18 06 00 95
2" BSP Cap	11 12 03 40 00

## DIMENSIONAL DRAWING



# 2" BSP Threaded ATCO™ Heavy Duty ND50 Ball Valve AD5X16

## CODIFICATION

### STANDARD PART NUMBER

AD5 X 16 T 1 BC W 1 0

### YOUR PART NUMBER

AD5 16 1 BC

#### MATERIAL - Other on request

316L / 1.4409 stainless steel **X**

#### MAWP

16 Bar **16**

#### WORKING TEMPERATURE

Ball Seals PTFE +150°C **T**

High temperature **H**

#### INLET FLANGE DRILLING

4 x Ø17 x 125 PCD **1**

#### CONNECTION & CAP

2" BSP with Cap **BC**

#### HANDLE

With standard handle **S**

With remote control handle **W**

#### GAUGE CONNECTION

Without **0**

With **1**

#### GAUGE PROTECTION

Without **0**

With **1**

