

2" Clamped TANKFLY™ ND50 Butterfly Valve TP5X



The 2" TANKFLY™ MKII clamped butterfly valve is designed to be used between flanges as an air inlet/outlet valve - one part closure plate seal - light - 1/4" BSP gauge connection.

SPECIFICATION	
Nominal diameter	50mm (2")
Weight	1.1 Kg
Inlet Connection	Clamped between DIN or ANSI Flange
Outlet Connection	
Working Pressure	7 Bar
Test Pressure	10.5 Bar
Working Temperature	- 40° to +150°C
Design Temperature	- 40° to +190°C

Temperature range vary according to the seal material

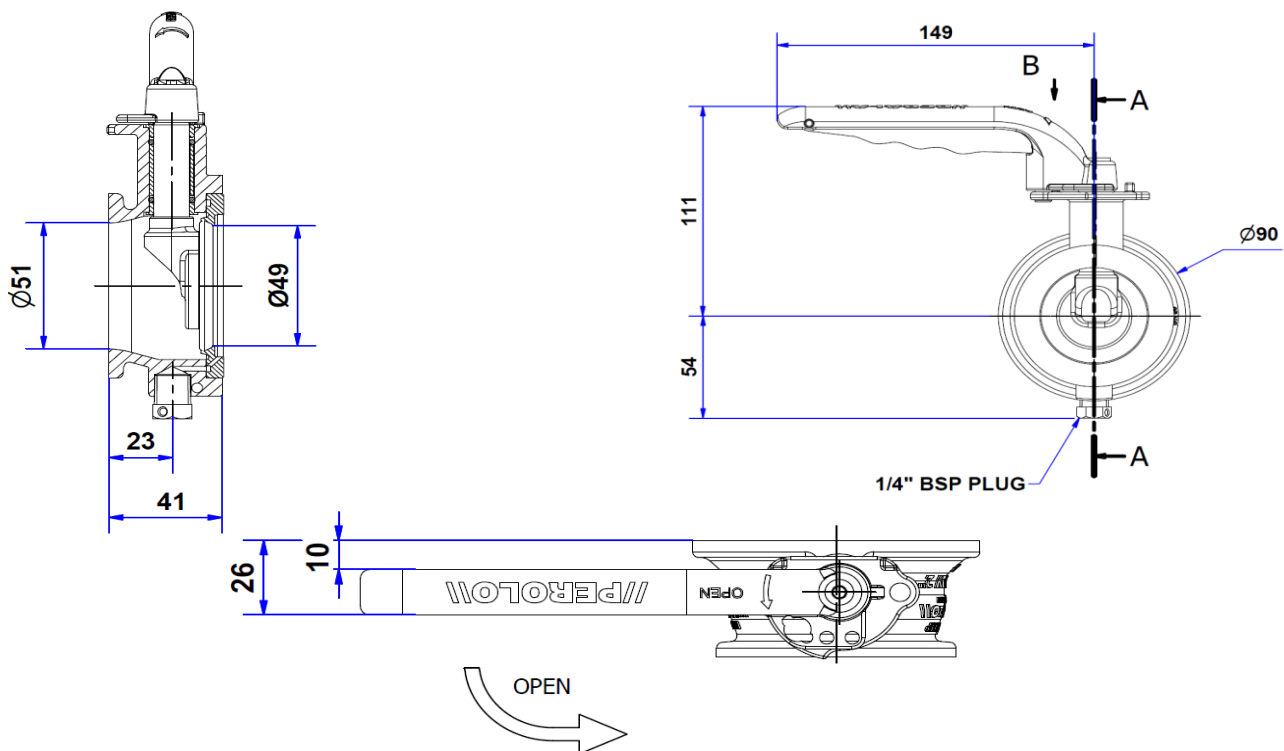
CONFORMITY, CERTIFICATION & APPROVAL	
Complies with ADR / IMDG / RID / EN14432	
Approved by Bureau Veritas	

STANDARD FEATURES (See Codification for option)	
Made of (material)	316L / 1.4409 stainless steel
Compact Design	Face To Face 41mm
Operation	Handle - 1/4 Turn lockable*
Butterfly seal material	PTFE

*anti-clockwise opening for standard

ACCESSORIES	
Weld-in flange	11 92 51 00 00
2" BSP nozzle + Cap	11 17 15 20 00
Pressure gauge	70 18 06 00 95

DIMENSIONAL DRAWING





VALVES SOLUTIONS FOR YOUR

2" Clamped TANKFLY™

ND50 Butterfly Valve TP5X

CODIFICATION

STANDARD PART NUMBER

TP5	X	7	T	1	1	.
-----	---	---	---	---	---	---

YOUR PART NUMBER

TP5		7	T	1		
-----	--	---	---	---	--	--

MATERIAL - Other on request

316L / 1.4409 stainless steel

X

MAWP

7 Bar

7

WORKING TEMPERATURE

Butterfly seal PTFE +150°C

T

GAUGE PLUG

With

1

GAUGE PROTECTION

Without

1

With

2

OPERATING SYSTEM

Standard Handle

.

Pneumatic Actuator

P



AIR LINE