

3" TANKFLY FLANGED HIGH CORROSION ND80 Butterfly Valve TF8R



The PEROLO HALAR 3" flanged TANKFLY™ butterfly valve is designed to be used as a fluid inlet/outlet valve. This product consists of an internal HALAR coated body, Hastelloy or Titanium or PVDF closure plate.

Caution: Please check the cargo compatibility with proposed materials

SPECIFICATION

Nominal diameter	80 mm (3")
Weight	6,8 Kg
Inlet flange drilling	6 or 4 holes
Outlet flange drilling	4 x slots 18 on PCD 146 to 160
Working Pressure	7 Bar
Test Pressure	10,5 Bar
Working Temperature	-20° to +150°C (PVDF max +80°C)
Design Temperature	-40° to +190°C

NB: temperature range vary according to o'ring material & poppet material

CONFORMITY & CERTIFICATION

ADR / IMDG / RMR / EN 14332 / A-C-I

Bureau Veritas

STANDARD FEATURES (See Codification for option)

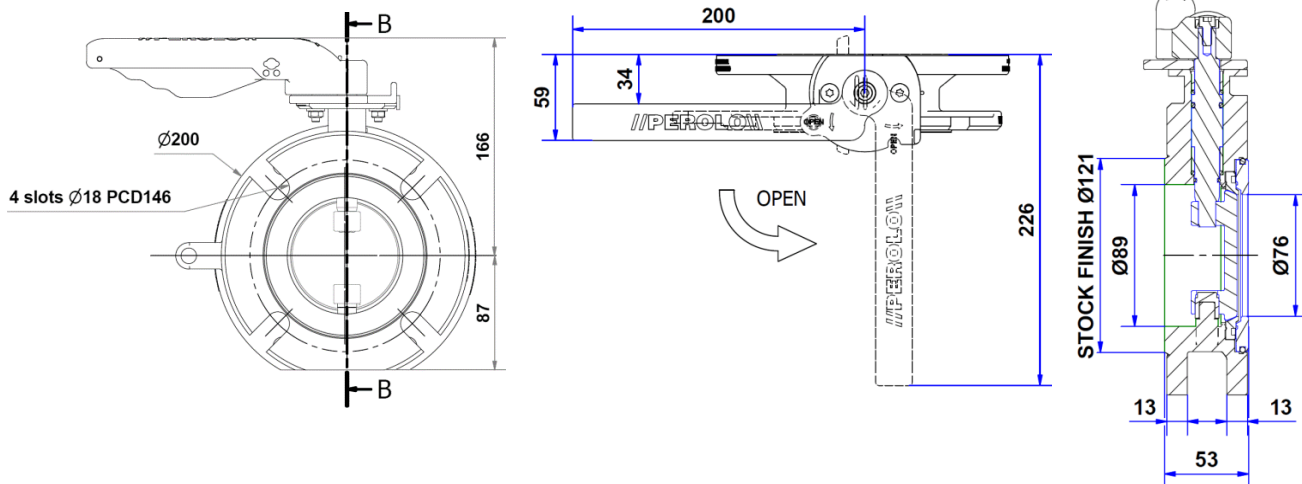
Made of (material)	Body: 316/1.4408 & HALAR coated Closure plate: Hastelloy C22, Titanium, PVDF
Maintenance	Face to face 55mm
Handling operation	Handle - 1/4 turn with locking*
Closure plate seal	PTFE

*anti-clockwise opening for standard

ACCESSORIES

Blind Flange	11 97 48 00 00
Weld-in flange	11 90 36 00 00
Recess flange	11 90 98 00 00
Gasket	12 91 40 00 00
Screw kit	12 91 61 92 00
Pivot pin	12 91 52 00 00
Remote control	RMT83

DIMENSIONAL DRAWING



- HALAR coated thickness 500µ
- High corrosion materials, please see p2 for options

CODIFICATION

STANDARD PART NUMBER

TF8 R 7 4 1 H

YOUR PART NUMBER

TF8 R

HIGH CORROSION - Coated Body

316/1.4408 Halar coating **R**

MAWP

7 Bar **7**

4 Bar (PVDF closure plate) 4

INLET FLANGE - other on request

6 x Ø14 x 168 PCD 1

4 x Ø18 x 160 PCD 2

4 x M16 x 160 PCD 3

6 x Ø14 x 168 PCD & 4 x Ø18 x 160 PCD **4**

6 x Ø14 x 168 PCD & 8 x Ø18 x 160 PCD 5

OUTLET FLANGE

4 open slots x Ø18 x min 146 PCD **1**

4 open slots x Ø18 x min 146 PCD & 4 x M16 x 160 PCD 2

HIGH CORROSION - closure plate & spindle & clamping ring

Hastelloy C22 closure plate, Hastelloy C276 spindle, Hastelloy C276 clamping ring **H**

Titanium closure plate, Titanium spindle, Titanium clamping ring T

PVDF closure plate, Halar FDA coated Hastelloy C276 spindle, PVDF clamping ring, max WT +80°C P

