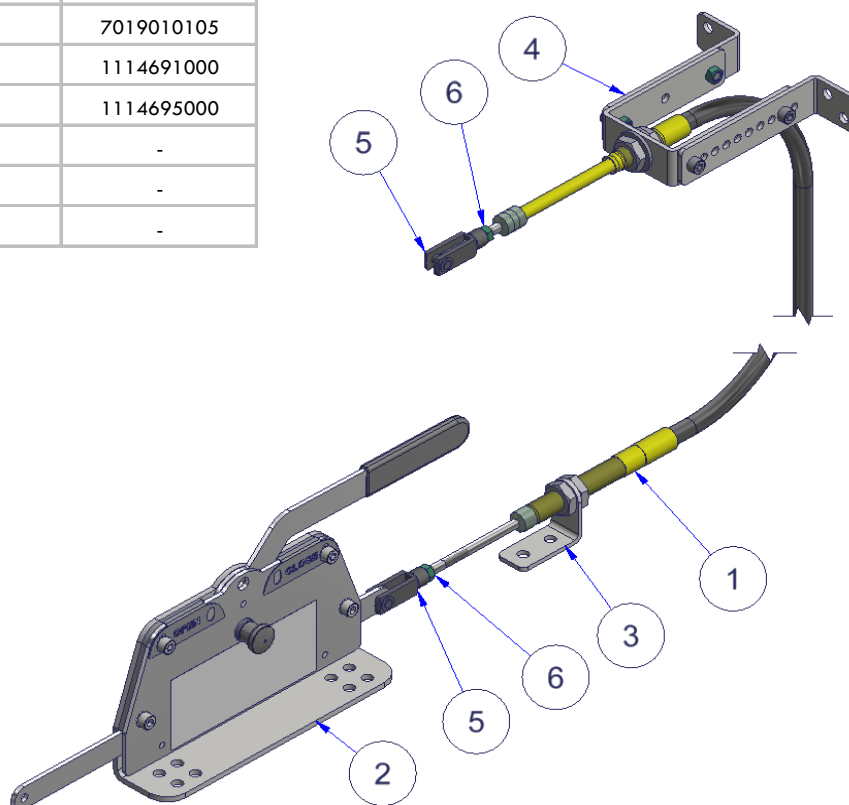


MAINTENANCE



ITEM	QTY	DESIGNATION	PART N°
RMT3 - CABLE Ø6			
1	1	Cable 3m	7019090014
		Cable 4m	7019090015
		Cable 5m	7019090016
		Cable 7m	7019090017
		Cable 8m	7019090018
2	2	Right control box	1114151000
		Left control box	1114158000
3	1	Adaptator bracket	-
4	2	Fix bracket	-
5	2	Yoke	-
RMT5 - CABLE Ø8			
1	1	Cable 1m	7019010103
		Cable 3m	7019010101
		Cable 4m	7019010102
		Cable 5m	7019010104
		Cable 5,6m	7019090028
		Cable 7m	7019010105
2	2	Right control box	1114691000
		Left control box	1114695000
3	1	Adaptator bracket	-
4	2	Fix bracket	-
5	2	Yoke	-



TROUBLE SHOOTING



1 - Mechanical slack

After repeated service it is possible that the cable may stretch and require adjustment to achieve full closure.

Adjustment procedure: Readjust the nut against the bracket (at the control box area or/and on the top valve area) in order to take up the mechanical slack, if necessary, check details on the instruction on the "INSTALLATION-PWA-RMT".

Screw the other nut to tighten the cable to the bracket at 40N.m*.

Lastly, test the system following the below handling conditions.

*If the system is subjected to too much vibrations apply LOCTITE 243 on the tread or contact us to order locking part.

2 - Handling difficulty

Because of the wrong handlings or an adverse condition, the remote control may need additional lubrication. We recommend to apply lubricant to the mechanism (control box) and open/close 10 times.

3 - System Seized

A - If it is completely seized, the fault might come from the remote control area.

Check the remote control area, inspect in case of a foreign body in the mechanism, if so remove it.

If the problem is comes from the control box itself, you can disassemble the control box, clean all components, apply lubricant and reassemble. Use the " installation document" P.7 if needed. .

B - If there is blockage with a slack cable, it may come from the top valve area.

Check the top valve area, if there is a foreign body in the mechanism remove it.

C - Check all the system by disconnecting the cable at the remote control box and operate the control lever independently. If the lever operates freely repeat the same procedure at the valve. If the valve operates freely (when operated independantly from the cable) then the fault points to the cable. Check routing of the cable to ensure soft curves in line with previous set up instructions. Reroute as necessary. In the event that any individual components cannot be repaired then call the PEROLO after-sales service to change the component.

The conditions of manipulation:

FROM CLOSED TO OPEN POSITION

-To open : Apply light pressure to the handle of the remote control while pulling the locking pin towards you at the same time and pull the handle until the mechanical stop.

-During the manipulation : The cable must pull the valve lever for opening.

-The open position must be locked automatically by the locking pin and the valve must be open with a tolerance of 2° to 5°.

FROM OPEN TO CLOSED POSITION

-To close : You must pull the locking pin towards you, and push handle until a mechanical stop.

-During the manipulation : The cable must pull the valve lever for closing

-The closed position must be locked automatically by the locking pin system.