



Perolo 3" CHEMFLY bottom discharge valve is designed to suit chemical or foodstuff road tankers - includes a 3" CHEMFLY butterfly valve, a 3" BSP threaded outlet and a 3" welding neck.

SPECIFICATION	
Nominal diameter	80 mm (3")
Weight	8 Kg
Inlet flange	4 holes x Ø14 on a 130 PCD
Outlet flange	3" BSP
Working pressure	7 bar
Test pressure	10.5 bar
Working temperature	-40° to +150°C
Design temperature	-40° to +190°C

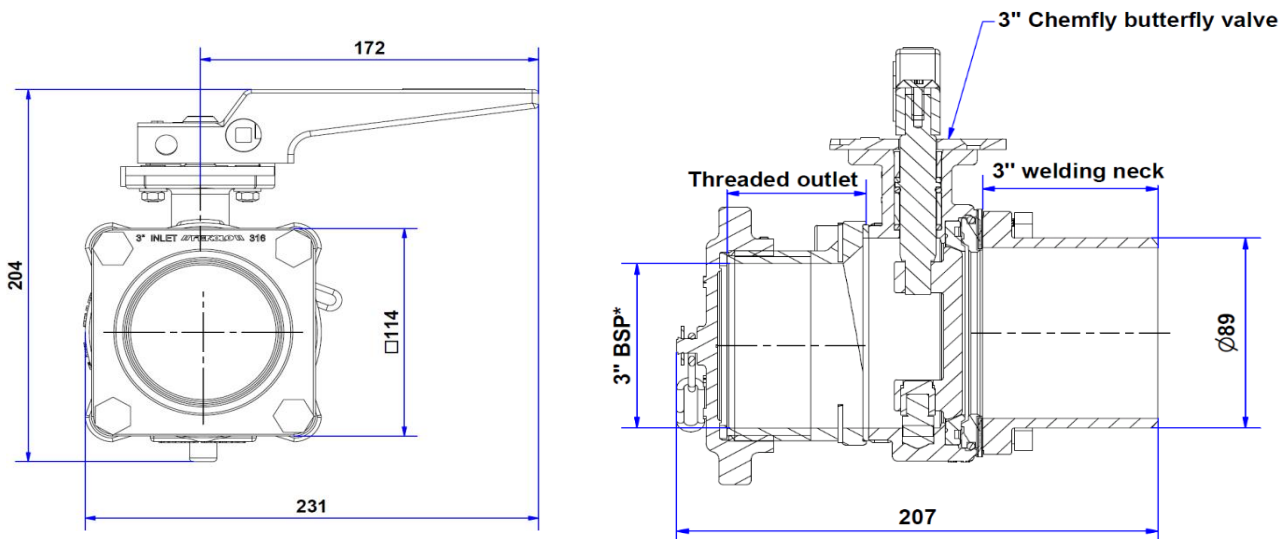
NB: temperature range vary according to o'ring material

CONFORMITY, CERTIFICATION & APPROVAL
ADR / IMDG / RID / EN14432
Approved by : Bureau veritas

STANDARD FEATURES (See Codification for option)	
Made of (material)	316L / 1.4409 stainless steel
Angle	180°
Body length	depends on options
O'rings material	Not applicable
Seals material	PTFE
Operating	Locking handle - 1/4 turn
Footvalve spring	Without spring

ACCESSORIES	
45° weld-in flange	11 11 59 50 01
PTFE	11 11 59 90 01
Screw kit	11 11 59 99 01

DIMENSIONAL DRAWING



BOTTOM DISCHARGE

Due to our policy of continuous product improvement, specifications may change without notice - Specification sheet PWA 17 12 21 20 00 G

It is the customer's responsibility to check the compatibility between valves material and transported product.

PEROLO SAS, 69 Rue des Maçons, 33390 Blaye, FRANCE -Phone : + 33 (0)5 5742 67 00 - Email : sales@perolo.com

CODIFICATION



STANDARD PART NUMBER

VLY3	1	1	0	.	1	2	1	0
------	---	---	---	---	---	---	---	---

YOUR PART NUMBER

VLY3	1	1						
------	---	---	--	--	--	--	--	--

INLET FLANGE

4 x Ø14 x 130 PCD	1
-------------------	---

OUTLET FLANGE

4 x M10 x 120 PCD	1
-------------------	---

VENTING PORTS *

None	0
------	---

1 x 3/8" NPT	1
--------------	---

1 x 3/8" BSP	2
--------------	---

2 x 3/8" NPT	3
--------------	---

2 x 3/8" BSP	4
--------------	---

1 x 3/8" BSP	G
--------------	---

1 x 1/2" BSP	H
--------------	---

MATERIAL

316L / 1.4409 stainless steel	.
-------------------------------	---

904L / 1.4539 stainless Steel	U
-------------------------------	---

WELDING INLET - Others on request

3"	1
----	---

OUTLET NOZZLE LENGTH

Short outlet length (60mm)	1
----------------------------	---

Long outlet length (110mm)	2
----------------------------	---

OUTLET THREAD

Without thread	0
----------------	---

3" BSP	1
--------	---

3" NPT	2
--------	---

DUST CAP

None	0
------	---

3" BSP cap	1
------------	---

3" NPT cap	2
------------	---

* Venting ports position are described on specification sheet of chemfly light butterfly valve

BOTTOM DISCHARGE