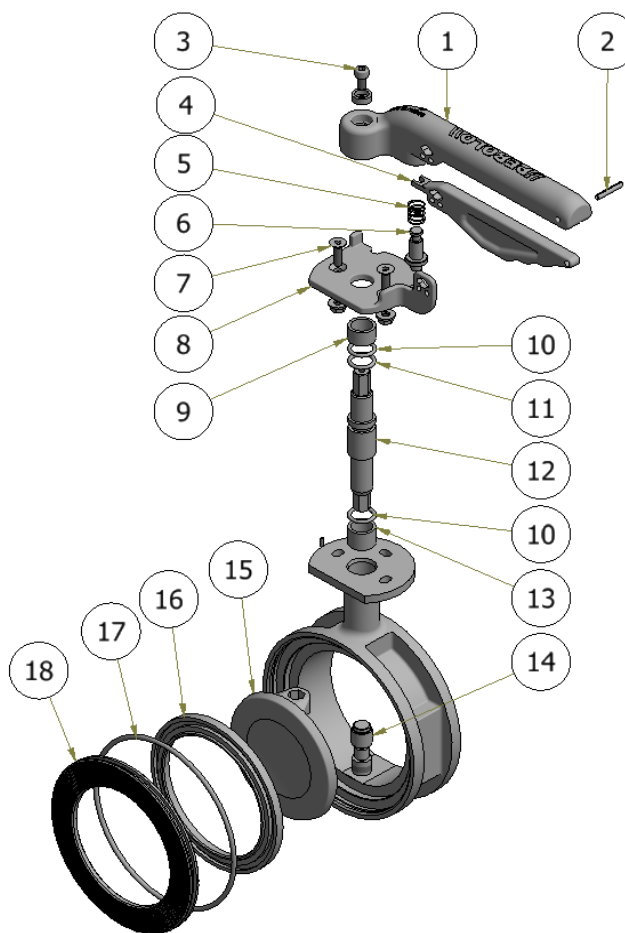


### MAINTENANCE



ITEM	QTY	DESIGNATION	PART N°
<b>Handle kit: 11 14 85 90 00</b>			
1	1	Handle, stainless steel	11 11 83 40 00
2	1	Split pin, stainless steel	-
3	1	Screw M6-12	-
	1	Washer	-
4	1	Handle lever, stainless steel	11 11 83 40 03
5	1	Handle Spring, stainless steel	-
6	1	Locking Pin, stainless steel	-
<b>Spindle &amp; Spindle Seals kit: 11 17 01 97 00</b>			
7	2	Screws M6-20	-
	2	Washers	-
	2	Nuts	-
9&13	1	Spindle bush, PTFE & glass 25%	12 85 30 00 03
	1	Short spindle bush	11 12 62 00 01
10	2	O'ring, FEP & silicone	70 10 15 00 12
11	1	O'ring, FKM/Viton (Green)	70 10 01 02 12
12	1	Spindle, 1.4462	12 85 57 00 03
<b>Spindle:</b>			
12	1	Spindle, 1.4462	12 85 57 00 03
<b>Closure plate seal kit (10 pack):</b>			
16	10	Closure plate seal, PTFE (10 pack)	17 12 05 00 01
<b>Closure plate kit: 17 12 02 90 00</b>			
14	1	Closure plate bush, PTFE & glass 25%	12 85 57 00 04
15	1	Closure plate, stainless steel	17 12 02 20 00

ITEM	QTY	DESIGNATION	PART N°
<b>Clamping ring kit: 17 12 05 91 00</b>			
17	1	O'Ring, nitril	70 10 03 07 05
18	1	Clamping ring, stainless steel	12 85 57 00 02
<b>Spindle Seals kit: 17 12 63 91 00</b>			
3	1	Screw M6-12,	-
11	1	O'ring, FKM/Viton (Green)	70 10 01 02 12
10	2	O'ring, FEP & silicone	70 10 15 00 12
7	2	Screws M6-20	-
	2	Washers	-
	2	Nuts	-
9&13	1	Spindle bush, PTFE & glass 25%	12 85 30 00 03
	1	Short spindle bush	11 12 62 00 01



If you want to upgrade a hexagonal spindle to a splined spindle, please order spindle & spindle seals kit 1112629700, handle kit 1114859000 and closure plate kit 1285578100

**BUTTERFLY VALVE**