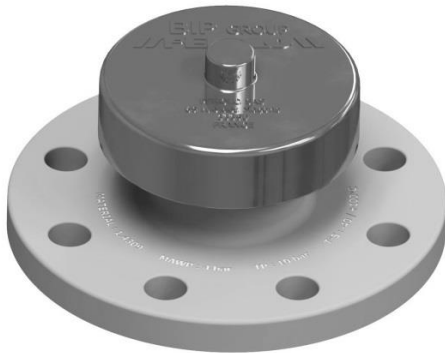


2" (DN50) Vacuum Valve

Rail Tank Car
 19 10 02 00 00



2" safety relief valve - designed to protect the tank from any vacuum excess - Made of 316L/1.4409 stainless steel, this small product is suitable for rail tank cars and road tankers dedicated to the transport and storage of petroleum, chemicals and liquid foodstuff.



SPECIFICATION	
Nominal diameter	50 mm (2")
Weight	4 kg
Connection	8 x Ø18 x 145 PCD
Vacuum settings	100 mBar +/-50mBar
Working Temperature	-40° to +100°C

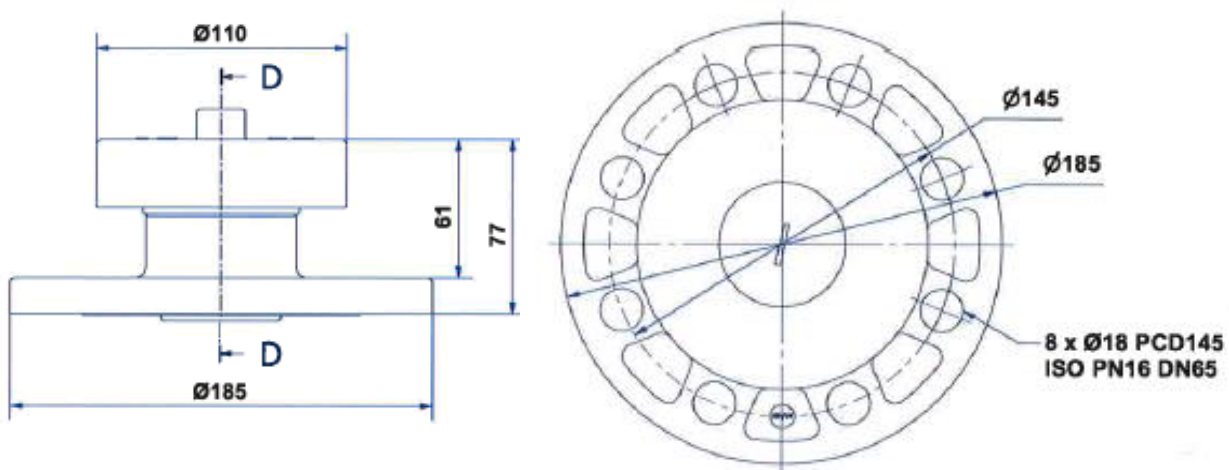
Temperature range may vary according to the seal material

CONFORMITY & CERTIFICATION	
Complies with RID	

STANDARD FEATURES	
Made of (material)	316L / 1.4409 stainless steel
O'rings material	Viton

CODIFICATION	
2" Vacuum Valve, 316L, Vacuum setting: 100mBar, viton O'ring	19 10 02 00 00
2" Vacuum Valve, 316L, Vacuum setting: 20mBar, viton O'ring	19 10 06 00 00

DIMENSIONAL DRAWING



SAFETY RELIEF VALVE