

2" ATCO BALL VALVE

HIGH CORROSION ND50 Ball Valve

AFN5X

The Perolo ND50 ATCO™ FULL BORE self-contained ball valve is designed to be used as a fluid inlet/outlet valve. This product is composed with HALAR & PTFE/PFA coated body and Hastelloy ball, Ceramic ball or PVDF ball.

Caution: Please check the cargo compatibility with proposed materials



SPECIFICATION	
Nominal diameter	50mm (2")
Weight	6.0 Kg
Inlet flange drilling	4 holes x Ø17 on a 125 PCD
Outlet flange drilling	4 holes x M16 on a 125 PCD*
Working Pressure	16 Bar
Test Pressure	24 Bar
Working Temperature	-40° to +150°C
Design Temperature	-40° to +190°C

NB: temperature range vary according to o'ring material & ball options

CONFORMITY & CERTIFICATION	
ADR / IMDG / EN14432	
Bureau Veritas, RMR, A-C-I	

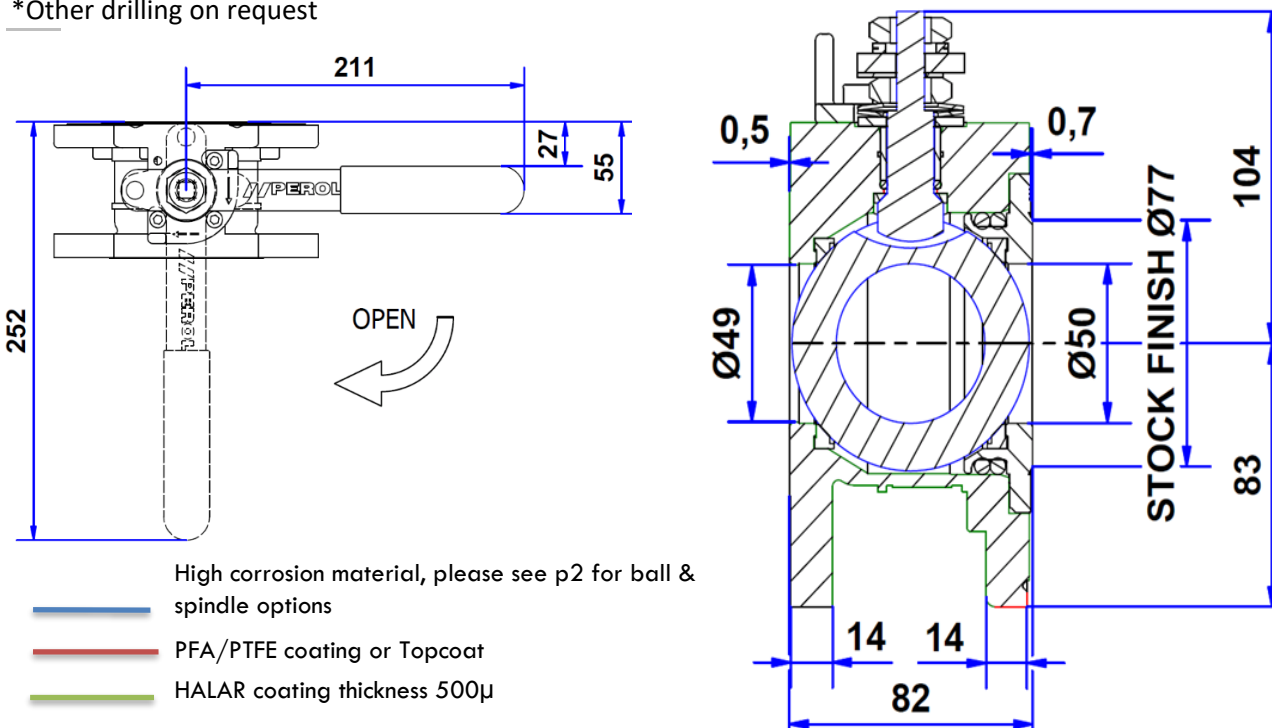
ACCESSORIES	
Weld-in flange	11 90 25 00 00
Recess flange	11 92 44 00 00
Blind flange	11 95 88 10 00
Bolting Kit	on request
Gaskets	11 90 29 00 00
Stud kit	on request
Remote Control	RMT 53
Remote Control Handle	11 14 55 91 00

STANDARD FEATURES (See Codification for option)	
Body: 316/1.4408 & HALAR and PTFE coated	
Ball: Hastelloy C276, Ceramic, PVDF	
Compact design	Face to face 81 mm
Operation	Handle - 1/4 turn or Remote Control*
Ball seals material	PTFE

*clockwise opening for standard

DIMENSIONAL DRAWING

*Other drilling on request



Due to our policy of continuous product improvement, specifications may change without notice - Specification sheet PWA 11 12 95 20 00 F

It is the customer's responsibility to check the compatibility between valves material and transported product.

PEROLO SAS, 69 Rue des Maçons, 33390 Blaye, FRANCE -Phone : + 33 (0)5 5742 67 00 - Email : sales@perolo.com



BALL VALVE

CODIFICATION

STANDARD PART NUMBER

AFN5 X 16T 1 2 0 0 S 0 R R .

YOUR PART NUMBER

AFN5 X 1 S

BODY MATERIAL

316 / 1.4408 stainless steel **X**

SEAL MATERIAL & MAWP

PTFE seal & 16 Bar **16T**

PTFE seal & 4 Bar (PVDF ball only) **4T**

INLET FLANGE DRILLING

4 x Ø17 x 125 PCD **1**

OUTLET FLANGE DRILLING*

4 x Ø17 x 125 PCD **1**

4 x M16 x 125 PCD **2**

4 slotted x Ø18 x min 114 PCD **3**

*other drilling on request

GAUGE CONNECTION - on request

without **0**

GAUGE PROTECTION

without **0**

SEALING

with **S**

STEAM HEATING

without **0**

HIGH CORROSION - Coated Body

Halar - PFA/PTFE coating **R**

Halar -Topcoat coating **T**

HIGH CORROSION - Ball* & Spindle

Hastelloy C276 solid ball & spindle **R**

Ceramic ball & Hastelloy C276 spindle **C**

PVDF solid ball with HastC276 inserts & FEP coated Hastelloy C276 spindle. MAWP 4 bar. Max WT +80°C **D**

*drilled ball on request

HANDLE

Standard handle **.**

Remote control handle **W**

Reverse handle **L**



BALL VALVE