

3" ATCO BALL VALVE

HIGH CORROSION ND80 Ball Valve

AFN8X



The Perolo ND80 ATCO™ FULL BORE self-contained ball valve is designed to be used as a fluid inlet/outlet valve. This product is composed with HALAR & PTFE/PFA coated body and Hastelloy ball, or Ceramic Ball

Caution: Please check the cargo compatibility with proposed materials

SPECIFICATION	
Nominal diameter	80mm (3")
Weight	12.5 Kg
Inlet flange drilling	8 holes x Ø17 on a 160 PCD*
Outlet flange drilling	8 holes x Ø18 on a 160 PCD*
Working Pressure	16 bar
Test Pressure	24 Bar
Working Temperature	-40° to +150°C
Design Temperature	-40° to +190°C

NB: temperature range vary according to o'ring material & ball material

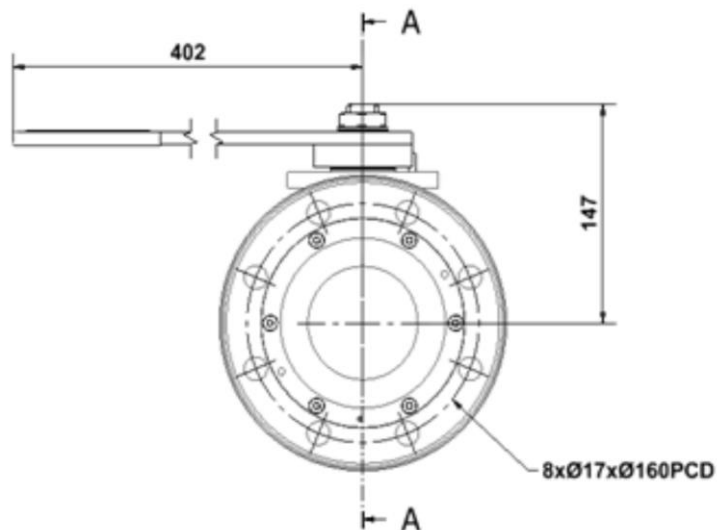
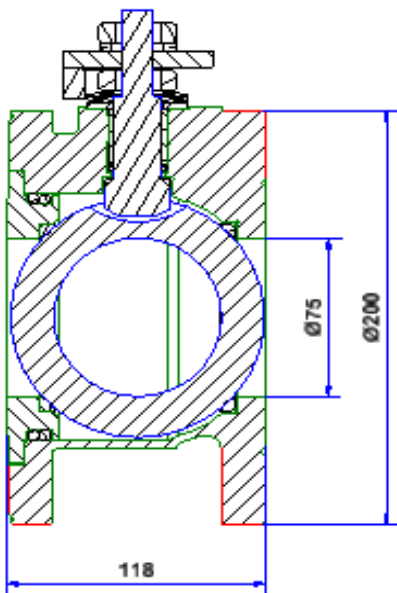
ACCESSORIES	
Recess flange	11 90 98 00 00
Blind flange	11 95 90 00 00
Bolting Kit	on request
Gaskets	12 91 40 00 00
Tools kit	11 12 71 96 00
Remote Control	on request
Screw kit	on request

CONFORMITY & CERTIFICATION	
ADR / IMDG / RID / EN14432	
Bureau Veritas, RMR, A-C-I	
STANDARD FEATURES (See Codification for option)	
Body: 316/1.4408 & HALAR and PTFE coated	
Ball: Hastelloy C276, Ceramic	
Compact design	Face to face 115 mm
Operation	Handle - 1/4 turn or Remote Control*
Ball seals material	PTFE

*other drilling on request

*clockwise opening for standard

DIMENSIONAL DRAWING



- High corrosion material, please see p2 for ball & spindle options
- PFA or PTFE coating
- HALAR coating thickness 500µ

Due to our policy of continuous product improvement, specifications may change without notice - Specification sheet PWA 11 14 05 20 00 F

It is the customer's responsibility to check the compatibility between valves material and transported product.

PEROLO SAS, 69 Rue des Maçons, 33390 Blaye, FRANCE -Phone : + 33 (0)5 5742 67 00 - Email : sales@perolo.com



BALL VALVE

CODIFICATION

STANDARD PART NUMBER

AFN8 X 16T 2 4 S 0 0 R .

YOUR PART NUMBER

AFN8 0

BODY MATERIAL other on request

316 / 1.4408 stainless steel **X**

SEAL MATERIAL & MAWP

PTFE seal & 16 Bar **16T**

INLET FLANGE DRILLING other on request

6 x Ø14 x 168.3 PCD	1
8 x Ø17 x 160 PCD	2
4 x Ø17 x 160 PCD	3
8 slots x Ø18 x 160 to 168 PCD	4
4 x Ø17 x 160 PCD & 6 x Ø14 x 168 PCD	5

OUTLET FLANGE DRILLING others on request

4 open slots x Ø18 x min 146.1 PCD	1
8 x Ø18 x 160 PCD (ISO PN16)	2
8 slots x Ø18 x 152.4 to 160 PCD	3
4 x M16 & 4 x Ø18 x 160 PCD	4
4 slots x Ø18 x 146 to 160 PCD	5
4 x M16 & 4 x Ø18 x 160 PCD shifted 22°30'	6
4 x Ø19x152,4 PCD + 8xØ18 x 160 PCD	7
8 x M16 x 160 PCD	8
4 open slots x Ø18 x 146 (with cut side)	9

SEALING

Sealing **S**

Sealing & pin **N**

PIN BRACKET ON OUTLET FLANGE

with **P**

without **0**

STEAM HEATING

without **0**

HIGH CORROSION - Body Halar/PFA/PTFE coated

Hastelloy C276 solid ball & spindle	R
Hastelloy C22 solid ball & spindle	Z
Ceramic ball & Hastelloy C276 spindle	C

HANDLE other on request

standard **.**

left **L**



BALL VALVE