

# 1 1/2" ATCO Pneumatic AGN4X ND40 BALL VALVE AGN4X



The Perolo ND40 ATCO™ pneumatic self-contained ball valve is designed to be used as an air inlet or as a fluid inlet/outlet valve.

### SPECIFICATION

Nominal diameter	40mm (1 1/2")
Weight	11 Kg
Inlet flange drilling	4 holes x Ø18 x 110 PCD*
Outlet flange drilling	please refer to spec sheet of AFN4X
Pneumatic Air Pressure	4 to 8 bar
Working Pressure	16 Bar
Test Pressure	24 Bar
Working Temperature	Valve : -40°C to +150°C
	Actuator : -20°C to +80°C

NB: temperature range vary according to o'ring material

### CONFORMITY, CERTIFICATION & APPROVAL

Complies with ADR / IMDG / RID / EN14432

Approved by Bureau Veritas, A-C-I

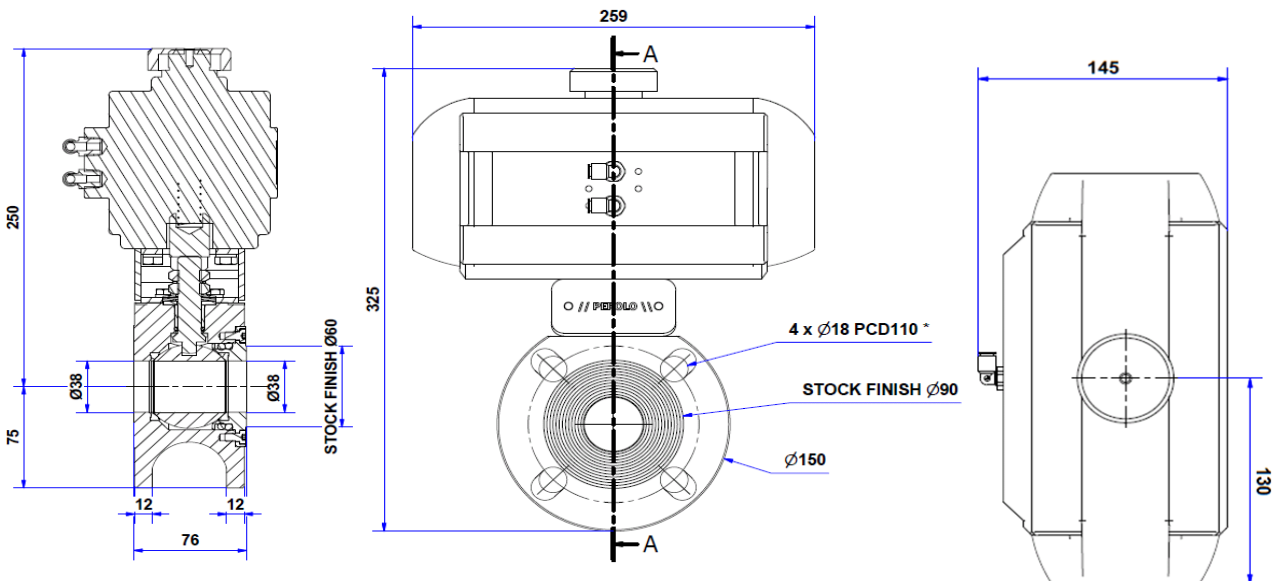
### ACCESSORIES

Weld-in flange	11 96 63 00 00
Blind flange EN14025	11 95 87 00 00
Stud kit	17 12 12 91 00
Gaskets	12 91 90 00 00
Bolting kit	12 91 90 00 00

### STANDARD FEATURES (See Codification for option)

Made of (material)	316L / 1.4409 stainless steel
Compact design	Face to face 76 mm
Operation	Pneumatic - 1/4 Turn single acting actuator
Ball gaskets material	PTFE

### DIMENSIONAL DRAWING



\* Other drilling patterns on request

Due to our policy of continuous product improvement, specifications may change without notice - Specification sheet PWA 11 14 19 20 00 F

It is the customer's responsibility to check the compatibility between valves material and transported product.

PEROLO SAS, 69 Rue des Maçons, 33390 Blaye, FRANCE -Phone : + 33 (0)5 5742 67 00 - Email : sales@perolo.com

**CODIFICATION**

**STANDARD PART NUMBER**

AGN4	X	16T	1	2	0	0	S	0	0	0
------	---	-----	---	---	---	---	---	---	---	---

**YOUR PART NUMBER**

AGN4							S	0	0	0
------	--	--	--	--	--	--	---	---	---	---

MATERIAL - Other on request	
316L / 1.4408 stainless steel	X
904L / 1.4584	U

SEAT MATERIAL & MAWP	
Standard PTFE seal 16 Bar	16T

INLET FLANGE	
4 x Ø18 x 110 PCD	1
4 x Ø18 x 110 PCD 53°	2
4 slotted 18 x 110 to 125 PCD	3

OUTLET FLANGE	
4 slotted Ø18 x 110 to 125 PCD	1
4 x M16 x 110 PCD	2
4 slotted Ø18 x 98,5 to 125 PCD	3
4 x M16 x 110 PCD 55°	4
4 x slotted Ø18 x 110 to 150 PCD	5
4 x slotted Ø17 x 98,5 to 110 PCD	6
4 x Ø18 x 110 PCD	7

GAUGE CONNECTION	
Without	0
1/4" BSP gauge connection at 180°	1
1/4" BSP gauge connection at 90°	2

GAUGE PROTECTION	
Without	0
With at 180°	1
With at 90°	2

SEALING	
With	S

STEAM HEATING	
Without	0
With	S

HALAR COATING	
Without	0
With	H

For coated option, please refer to HIGH CORROSION Catalogue sheet.

LIMIT SWITCH	
Without	0
Pneumatic	F



**BALL VALVE**

Due to our policy of continuous product improvement, specifications may change without notice - Specification sheet PWA 11 14 19 20 00 F

It is the customer's responsibility to check the compatibility between valves material and transported product.

PEROLO SAS, 69 Rue des Maçons, 33390 Blaye, FRANCE -Phone : + 33 (0)5 5742 67 00 - Email : sales@perolo.com