

4" (ND100) NEATFLOW MKIV

Bottom Discharge
VN4X



The Perolo 4" NEATFLOW™ MKIV external spring footvalve is designed to be used as a bottom discharge for chemicals and liquid foodstuff products carried in tank containers and IBC's. The external spring design is perfectly suited to tanks containing viscous fluids and allows easy cleaning and maintenance - Discharge time improved - compact design



| SPECIFICATION | |
|---------------------|----------------------------|
| Nominal diameter | 100 mm (4") |
| Weight | 27.2 Kg |
| Inlet flange | 8 holes x Ø14 on a 190 PCD |
| Outlet flange | 6 holes x Ø18 on a 180 PCD |
| Working pressure | 4 Bar |
| Test pressure | 6 Bar |
| Working temperature | -40° to +150°C |
| Design temperature | -40° to +250°C |

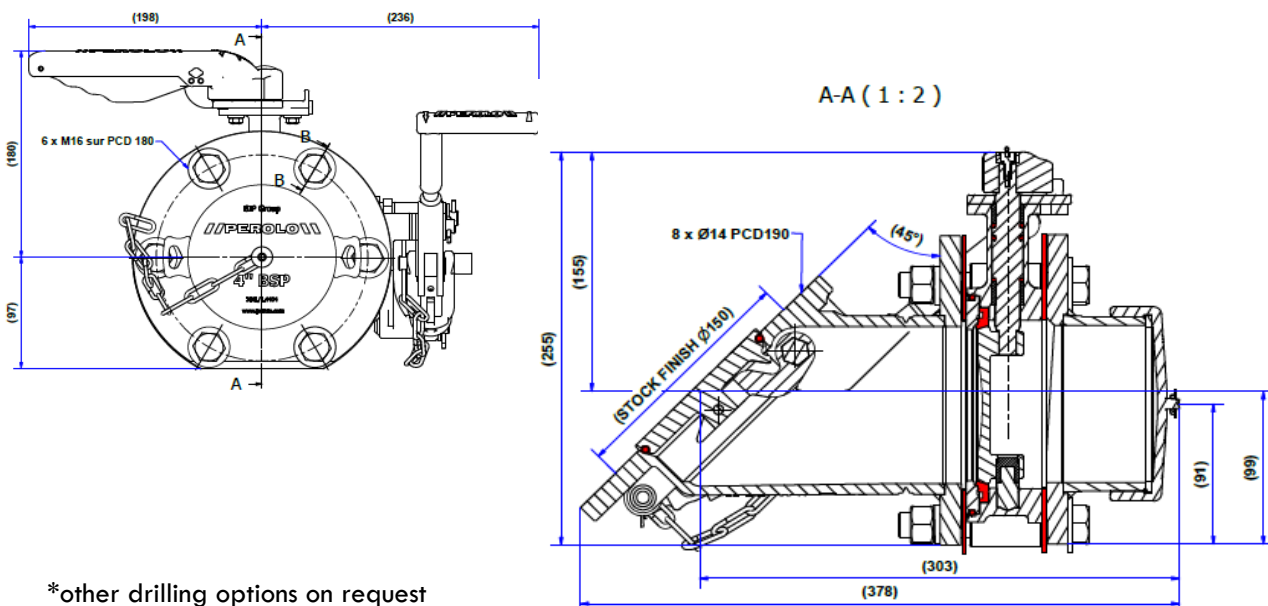
NB: temperature range vary according to o'ring material

| CONFORMITY, CERTIFICATION & APPROVAL |
|---------------------------------------|
| ADR / IMDG / RID / EN14433 / EN 14432 |
| Approved by : Bureau Veritas |

| STANDARD FEATURES (See Codification for option) | |
|---|--|
| Made of (material) | 316L / 1.4404 / 1.4409 stainless steel |
| Angle | 45° |
| O'rings material | FEP / Silicone |
| Seals material | PTFE / CNAF |
| Operating | Side operated handle |
| Footvalve spring | Spring outside the tank allows easier cleaning |

| ACCESSORIES | |
|--------------------|----------------|
| 45° weld-in flange | 11 11 59 50 01 |
| Flange gasket | 11 22 55 30 00 |
| Skrew kikt | 11 22 55 90 00 |

DIMENSIONAL DRAWING



*other drilling options on request

CODIFICATION

STANDARD PART NUMBER

VNX4 4 . . X . T B .

YOUR PART NUMBER

OUTLET ANGLE

45°

4

INLET FLANGE

8 x Ø14 x 190 PCD

A

OUTLET FLANGE

Round flange 8 x Ø18 x 180 PCD

2

Round flange 6 x Ø18 x 170 PCD

3

MATERIAL

316L Stainless steel

X

STEAM HEATING

Without

0

With steam heating

V

VALVE

Tankfly

T

NOZZLE & CAP

BSP Nozzle

B

NPT Nozzle

N

REMOTE CONTROL & CABLE

Without

0

With remote control lever, spring

R

With remote control lever; spring & cable

W



BOTTOM DISCHARGE