

# 2" - 1 1/2" BSP Threaded ATCO™ ND50 Ball Valve - COMPACT ADC5X7T



The Perolo ND50 ATCO FULL BORE 1 1/2" BSP threaded ball valve is designed to be used as an air inlet or as a fluid inlet/outlet valve. With a super compact design, the DN50 ATCO is light & economic.

SPECIFICATION	
Nominal diameter	50mm (2")
Weight	4,2 Kg
Inlet Connection	4 holes x Ø18 x 125 PCD
Outlet Connection	1 1/2" BSP
Working Pressure	7 Bar
Test Pressure	10.5 Bar
Working Temperature	- 40° to +150°C
Design Temperature	- 40° to +190°C

Temperature range vary according to the seal material

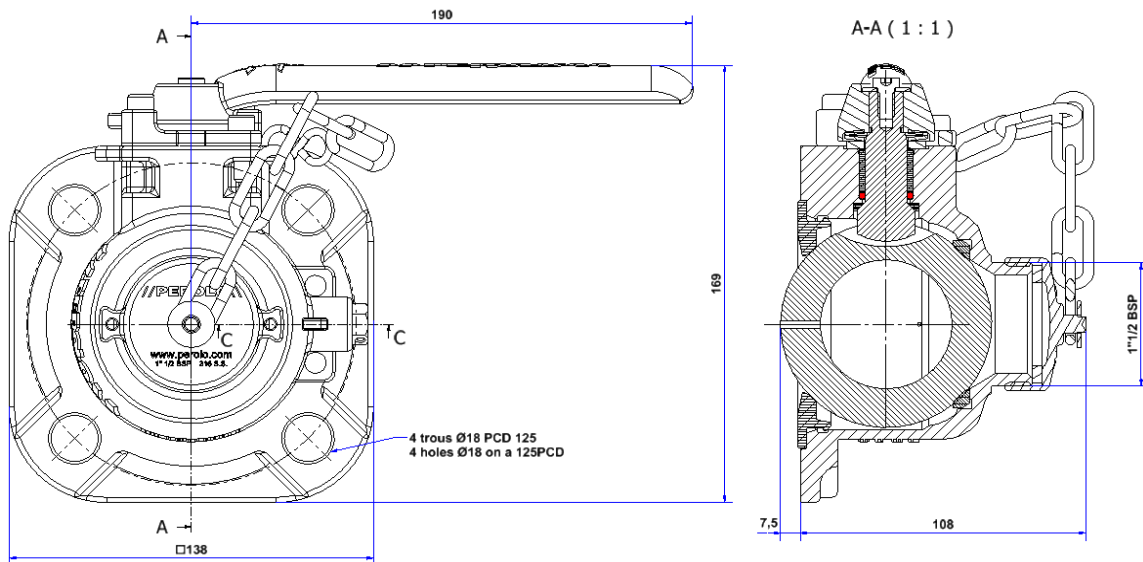
ACCESSORIES	
Weld in flange	11 90 25 00 00
Recess flange	11 92 44 00 00
Stud kit	11 91 13 91 00
Remote Control	RMT 53
Remote control Handle	11 14 99 30 01
Pressure gauge	70 18 06 00 95
1 1/2" BSP Cap kit	11 14 01 31 00

CONFORMITY, CERTIFICATION & APPROVAL
Complies with ADR / IMDG / RID / EN14432
Approved by Bureau Veritas

STANDARD FEATURES (See Codification for option)	
Made of (material)	316 / 1.4408 stainless steel
Compact Design	Face to face 108 mm with Cap
Operation	Handle 1/4 Turn or Remote Control
Ball seals material	PTFE
Torque transmission	Splined spindle

\*anti-clockwise opening for standard

## DIMENSIONAL DRAWING



Splined spindle



CODIFICATION

STANDARD PART NUMBER

ADC5 X 7 T 1 BC S 0 0 0

YOUR PART NUMBER

ADC5 7 T 1

MATERIAL - Other on request

316 / 1.4408 stainless steel X

MAWP

7 Bar 7

WORKING TEMPERATURE

Ball Seals PTFE +150°C T

INLET FLANGE DRILLING

4 x Ø18 x 125 PCD 1

CONNECTION & CAP

1.5" BSP with cap BC

1.5" BSP without cap B0

HANDLE

Handle anticlockwise opening S

Handle clockwise opening L

RMT lever anticlockwise opening W

GAUGE CONNECTION

Without 0

With 1

GAUGE PROTECTION

Without 0

With 1

FILTER

Without 0

With 1

