

3" (ND80) NEATCO MKII

Bottom Discharge
VNT3



3" NEATCO MKII 45° or 30° bottom discharge assembly combines one 3" NEATCO™ MKII footvalve, one 3" TANKFLY™ butterfly valve, and one 3" BSP threaded outlet nozzle with cap, all fully assembled together with gaskets and screws - This version improves the flow performance avoiding retention and also improves solidness due to FEA Design. Each bottom discharge is individually tested on a dedicated test bench and has the Perolo guarantee for leak-tightness.

SPECIFICATION

Nominal diameter	80 mm (3")
Weight	16.0 Kg
Inlet flange	8 holes x Ø14 on a 178 PCD
Outlet flange	3" BSP male threaded
Working pressure	4 Bar
Test pressure	6 Bar
Working temperature	-40° to +150°C
Design temperature	-40° to +190°C

NB: temperature range vary according to o'ring material

CONFORMITY, CERTIFICATION & APPROVAL

ADR / IMDG / RID / EN14433 / EN14432

Approved by : Bureau Veritas - RMR

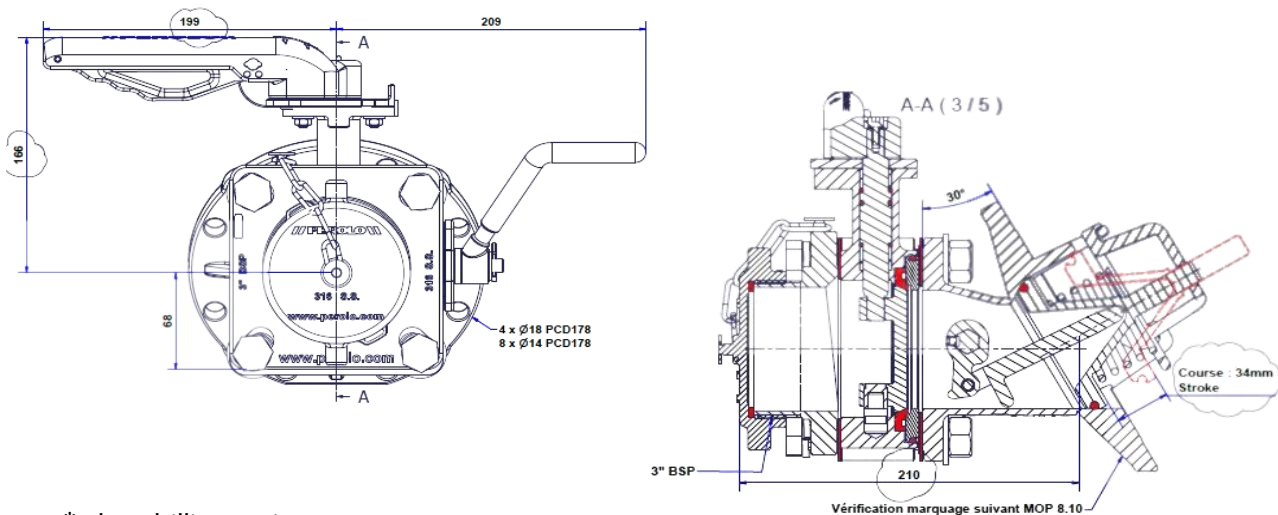
ACCESSORIES

45° weld-in flange	11 90 59 00 00
30° weld-in flange	11 91 16 00 00
Seal flange-footvalve	12 91 20 00 00
Screw kit	12 91 61 94 00
Seal footvalve-butt. valve	12 91 39 00 00
Seal butt. valve-outlet fl.	12 91 42 00 00
3" BSP outlet nozzle kit	12 85 96 00 00

STANDARD FEATURES (See Codification for option)

Made of (material)	31 6L / 1.4409 stainless steel
Angle	45° or 30°
Body length	depends on options
O'rings material	FEP/Silicone
Seals material	PTFE
Operating	Side operated handle
Footvalve spring	Inside the tank

DIMENSIONAL DRAWING



*other drilling options on request

drawing of 45° footvalve, for drawing of 30° footvalve please contact our sales department

Due to our policy of continuous product improvement, specifications may change without notice - Specification sheet PWA 11 16 28 20 00 G

It is the customer's responsibility to check the compatibility between valves material and transported product.

PEROLO SAS, 69 Rue des Maçons, 33390 Blaye, FRANCE -Phone : + 33 (0)5 5742 67 00 - Email : sales@perolo.com



BOTTOM DISCHARGE

CODIFICATION

STANDARD PART NUMBER

VNT 3 4 115 A 1 . . . N B R

YOUR PART NUMBER

VNT3



OUTLET ANGLE

45°	4
30°	3

BODY LENGTH

115 mm	115
97mm (only for 30° model)	97

INLET FLANGE

8 x Ø14 x 178 PCD (only 45°)	A
8 x Ø14 & 4 x Ø18 x 178 PCD (30°)	B

OUTLET FLANGE - others on request

Square, equidist. 4 x Ø18 x160PCD	1
Round, equidist. 4 x Ø18 x160PCD	2
Square, equidist. 4 x M16 x160PCD	3

SEAT OPTIONS

Stainless st 316L / 1.4409 seat	.
Hastelloy C276 coated seat	Q

STEAM HEATING

Without	.
With steam heating	V

HANDLE

Standard handle	.
Short handle	C

SECOND CLOSURE SYSTEM

Clamped butterfly valve ND 80 with splined spindle	N
3" ATCO full bore PN16 ball valve	A
Flanged butterfly valve ND 80 with splined spindle	G

NOZZLE & CAP - other on request

3" standard BSP Nozzle & cap	B
3" Camlock nozzle and cap	C
3" blind flange	P

REMOTE CONTROL

Wire control device without cable	R
Complete wire control device	W

For installation, please refer to installation sheet of neatco footvalve
For maintenance, please refer to maintenance sheet of neatco footvalve
& maintenance sheet of 2nd closure valve & accessories sheet for outlet
(e.g. nozzle, cap)

BOTTOM DISCHARGE