

# 2 x 2" BSP or NPT Threaded ATCO™

## Dual Outlet ND50 Ball Valve ATC5X7T



The Perolo ND50 ATCO FULL BORE DUAL 2" BSP or NPT threaded ball valve is designed to be used as an air inlet or as a fluid inlet/outlet valve. With a super compact design, the DN50 ATCO is light & economic.

### SPECIFICATION

Nominal diameter	50mm (2")
Weight	5.5 Kg
Inlet Connection	4 holes x Ø18 x 125 PCD
Outlet Connection	2 x 2" BSP or 2" NPT
Working Pressure	7 Bar
Test Pressure	10.5 Bar
Working Temperature	- 40° to +150°C
Design Temperature	- 40° to +190°C

Temperature range vary according to the seal material

### ACCESSORIES

Weld in flange	11 90 25 00 00
Recess flange	On request
Stud kit	11 91 13 91 00
Remote Control	RMT 53
Remote control handle	11 24 06 00 01
Pressure gauge	70 18 06 00 95
2" BSP Cap kit	11 24 06 30 00
2" NPT Cap kit	On request

### CONFORMITY, CERTIFICATION & APPROVAL

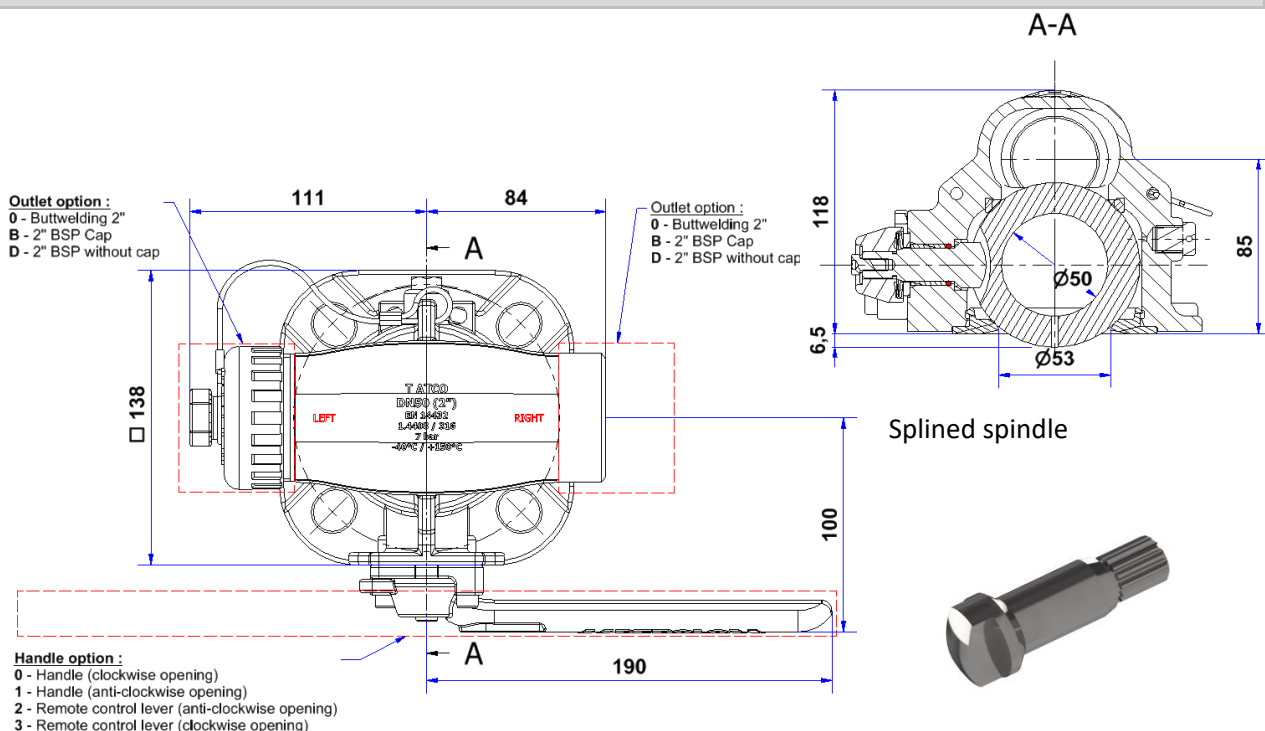
Complies with ADR / IMDG / RID / EN14432  
Approved by Bureau Veritas

### STANDARD FEATURES (See Codification for option)

Made of (material)	316 / 1.4408 stainless steel
Compact Design	Face to face 118 mm
Operation	Handle 1/4 Turn or Remote Control
Ball seals material	PTFE
Torque transmission	Splined spindle

\*anti-clockwise opening for standard

### DIMENSIONAL DRAWING



Due to our policy of continuous product improvement, specifications may change without notice - Specification sheet PWA 11 24 06 20 00 E

It is the customer's responsibility to check the compatibility between valves material and transported product.

PEROLO SAS, 69 Rue des Maçons, 33390 Blaye, FRANCE -Phone : + 33 (0)5 5742 67 00 - Email : sales@perolo.com



**AIR LINE**

# 2 x 2" BSP or NPT Threaded ATCO™

## Dual Outlet ND50 Ball Valve ATC5X7T

### CODIFICATION

#### STANDARD PART NUMBER

ATC5	X	7	T	1	B	B	0	0	0
------	---	---	---	---	---	---	---	---	---

#### YOUR PART NUMBER

ATC5		7	T	1					
------	--	---	---	---	--	--	--	--	--

#### MATERIAL - Other on request

316 / 1.4408 stainless steel	X
------------------------------	---

#### MAWP

7 Bar	7
-------	---

#### WORKING TEMPERATURE

Ball Seals PTFE -40°C +150°C	T
------------------------------	---

#### INLET FLANGE DRILLING

4 x Ø18 x 125 PCD	1
-------------------	---

#### RIGHT OUTLET CONNECTION\*

2" Buttwelding	0
----------------	---

2" BSP with cap	B
-----------------	---

2" BSP without cap	D
--------------------	---

\*other (eg NPT) on request

#### LEFT OUTLET CONNECTION\*

2" Buttwelding	0
----------------	---

2" BSP with cap	B
-----------------	---

2" BSP without cap	D
--------------------	---

\*other (eg NPT) on request

#### HANDLE

Handle clockwise opening	0
--------------------------	---

Handle anticlockwise opening	1
------------------------------	---

RMT lever anticlockwise opening	2
---------------------------------	---

RMT lever clockwise opening	3
-----------------------------	---

#### GAUGE CONNECTION

Without	0
---------	---

With	1
------	---

#### GAUGE PROTECTION

Without	0
---------	---

With	1
------	---

