

1"1/4 - 1" 1/2 BSP Threaded ATCO™

ND32 - ND40 Ball Valve

ADC3X



The Perolo 1 1/2" ATCO™ ball valve is designed to be used as an air inlet or as a fluid inlet/outlet valve. With a super compact design, the 1 1/2" ATCO™ is light & economic.

SPECIFICATION	
Nominal diameter	32mm (1"1/4)
Weight	1,8Kg
Inlet Connection	4 holes x Ø10 x 103,5 PCD
Outlet Connection	1" 1/2 BSP or NPT
Working Pressure	6,7 Bar
Test Pressure	10,05 Bar
Working Temperature	- 40° to +150°C
Design Temperature	- 40° to +190°C

Temperature range vary according to the seal material

ACCESSORIES	
Weld-in flange	11 90 20 00 00
Recess Weld In Flange	11 91 12 00 00
Screw Kit	12 91 99 00 00
Filter Kit	11 24 12 95 00
Remote Control	RMT 33
Remote control Handle	11 14 15 91 00
Pressure gauge	70 18 06 00 95
1 1/2" BSP Cap	11 14 01 30 00
Gauge protection	11 24 12 00 02

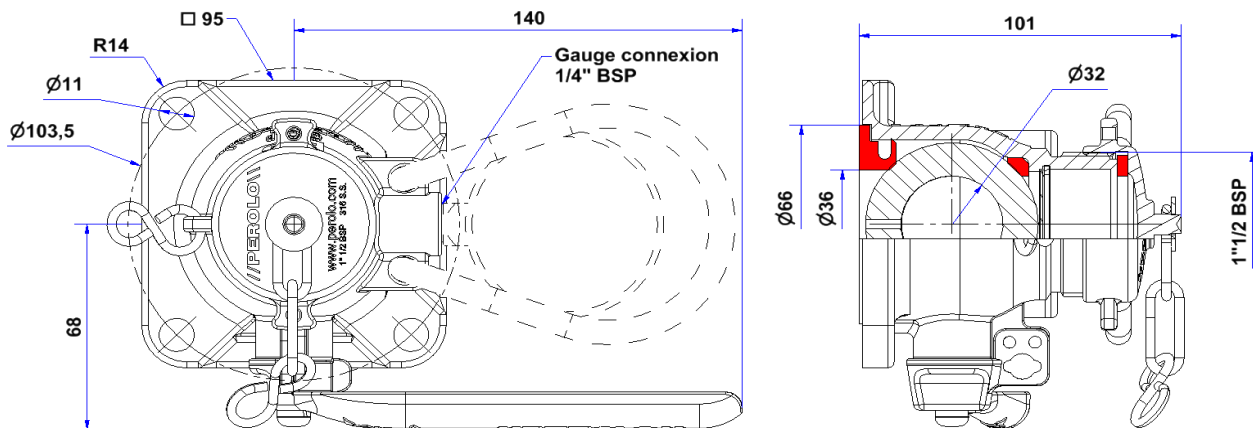
CONFORMITY, CERTIFICATION & APPROVAL	
Complies with EN 14432 :2014	
Approved by Bureau Veritas	

STANDARD FEATURES (See Codification for option)	
Made of (material)	316 / 1.4408 stainless steel
Operation	Handle - 1/4 Turn or Remote Control*
Ball seals material	PTFE

*anti-clockwise opening for standard

● part number different from the AD3X version

DIMENSIONAL DRAWING



CODIFICATION

STANDARD PART NUMBER

ADC3 X 7 T 2 1C S 2 1 .

YOUR PART NUMBER

ADC3 7

MATERIAL - Other on request

316L / 1.4409 stainless steel X

MAWP

6.7 Bar 7

WORKING TEMPERATURE

Ball Seals PTFE +150°C T

High temp +250°C ball seals PEEK H

INLET FLANGE

4 x Ø11 x 103.5 PCD 2

CONNECTION & CAP

BSP without Cap 1

BSP with Standard Cap/Chain 1C

BSP with Reinforced Chain 1K

NPT with Standard Cap 2C

FILTER

Without S

With P

GAUGE CONNECTION & PLUG

1/4" BSP Connection & Plug 2

GAUGE PROTECTION

Without 1

With 2

HANDLE

Handle anti-clockwise opening S

With remote control handle W

