



PEROLO offers a CHEMFLOW 90° footvalves dedicated to the bottom discharge of corrosive chemicals.

These CHEMFLOW are composed with HALAR coated body and C276 hastelloy or Titanium poppet, push rod and spindle insuring an extreme resistance to corrosion. Available in pneumatic or manual version.

Caution: Please check the cargo compatibility with proposed materials

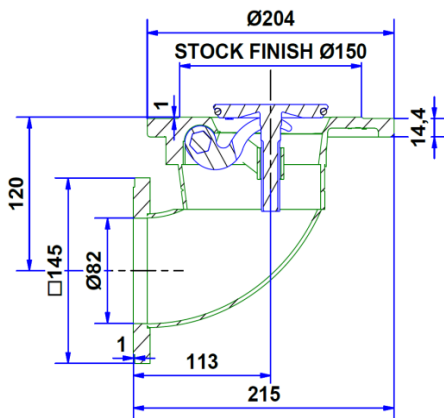
SPECIFICATION	
Nominal diameter	80 mm (3")
Weight	9.1 Kg
Inlet flange drilling	8 x Ø14 x 178 PCD
Outlet flange drilling	4 x Ø18 x 160 PCD
Working Pressure	4 bar
Test Pressure	6 Bar
Pneumatic Air Pressure	5 Bar
Air Inlet	Ø6
Working Temperature	-40° to +150°C
Design Temperature	-40° to +190°C

NB: temperature range vary according to o'ring material

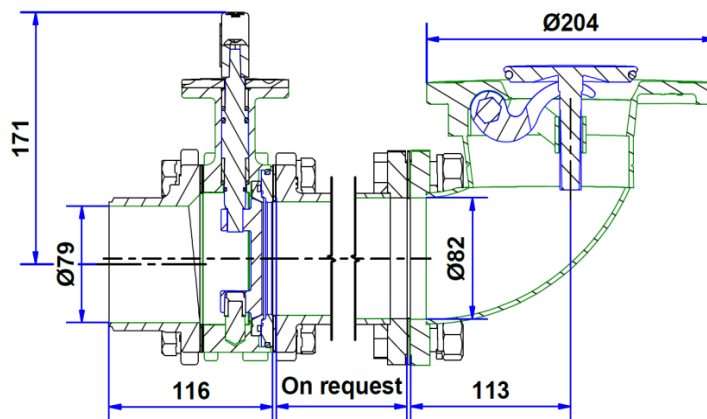
CONFORMITY & CERTIFICATION	
ADR / IMDG / RID / EN14433	
Bureau Veritas	
STANDARD FEATURES (See Codification for option)	
Made of (material)	Body: 316/1.4408/CF8M & HALAR coated or 904L without halar coating Poppet, pushrod & spindle: Hastelloy C276 or Titanium
Outlet Angle	90°
Operation	St. St. spring return actuator or hand operated
Footvalve spring	Spring outside the tank allows easier cleaning

ACCESSORIES	
Weld-in flange	11 90 59 00 00
Inlet seal	12 91 20 00 00
Outlet seal	12 91 39 00 00
Stud kit	17 11 03 92 00

DIMENSIONAL DRAWING



Footvalve



Complete bottom discharge

- HALAR coated thickness 500µ
- Hastelloy or Titanium, please see p2

Due to our policy of continuous product improvement, specifications may change without notice - Specification sheet PWA 17 11 63 20 00 E

It is the customer's responsibility to check the compatibility between valves material and transported product.

PEROLO SAS, 69 Rue des Maçons, 33390 Blaye, FRANCE -Phone : + 33 (0)5 5742 67 00 - Email : sales@perolo.com



CODIFICATION



STANDARD PART NUMBER	CF3	9	1	R	C	R	.
YOUR PART NUMBER	CF3	9	1		C		
OUTLET ANGLE							
90°	9						
OUTLET FLANGE - other on request							
Square outlet flange 4 x 18x160PCD	1						
POPPET							
Flat Poppet	R						
OPERATING MECHANISM							
Side Actuator	C						
Mechanical (without Actuator)	M						
HIGH CORROSION - poppet, spindle & pusher							
Hastelloy C22 poppet, Hastelloy C276 spindle & pusher	R						
Titanium poppet, spindle & pusher	T						
HIGH CORROSION - halar coated body							
Halar coated body in 316L	.						
904L body (no halar coating)	U						

mechanical version



BOTTOM DISCHARGE