

3" (ND80) SAFETY RELIEF VALVE

FLANGED MEGA SUPERVENTIX MX80 & MP80(PED)



3" MEGA SUPERVENTIX™ flanged safety relief valve - designed to protect tanks against accidental overpressure or excessive vacuum. With a smart compact design, the 3" MEGA SUPERVENTIX™ has a high flow performance.

SPECIFICATION

Nominal diameter	80 mm (3")
Weight	5 kg
Connection	4 slotted holes x Ø18 on a 145 to 152.4 PC
Pressure settings	From 0.5 to 7.4 Bar
Vacuum setting	From 50 to 410 mBar
Working Temperature	-50° to +190°C (HT +220°C)

*Temperature range may vary according to the seal material

CONFORMITY & CERTIFICATION

Complies with ADR / IMDG / RID / ISO 4126-1

Design Approval: Lloyd's Register - RMR

PED (for MP80 only)

PED 2014/68/EU - Category IV - Module H1 - Fluid gr.1

Lloyd's Register Espana

STANDARD FEATURES (See Codification for option)

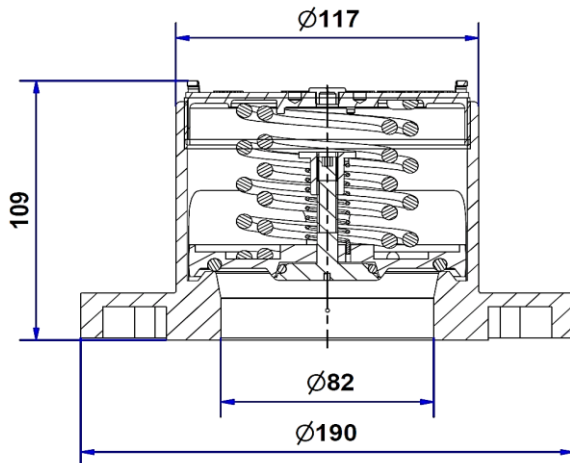
Made of (material)	316 / 1.4408 stainless steel
Setting Gasket	PTFE
O'rings material	FEP silicone - others on request

ACCESSORIES

Weld-in flange	12 92 03 00 00
Recess flange	11 90 63 00 00
Seal	12 92 04 00 00
Stud kit	17 12 12 91 00
Screw kit	11 10 09 91 00
Pressure gauge	70 18 06 00 95

It is the responsibility of the user to ensure that the fluids in contact with the equipment are compatible with the materials listed in the product sheet

DIMENSIONAL DRAWING



Flow measurement conditions: 101.3 kPa at 15°C

Flow reduction with gauze <12%

Set pressure			FLOW RATE AT 120% MX80				FLOW RATE AT 110% MX80			
			Measured flow rate at 120% without gauze		Certified flow rate with the federal register coefficient 90% without gauze		Measured flow rate at 110% without gauze		Certified flow rate with the federal register coefficient 90% without gauze	
Bar	kPa	PSIG	Sm ³ /S	Scfm	Sm ³ /S	Scfm	Sm ³ /S	Scfm	Sm ³ /S	Scfm
Max (±3% SP; 0,1B/1,45PSI)										
2.18	218	31.6	2.78	5888	2.50	5299	1.93	4088	1.74	3679
3.3	330	47.9	4.11	8705	3.70	7834	3.09	6545	2.78	5890
3.75	375	54.4	4.6	9743	4.14	8769	3.56	7540	3.20	6786
4.4	440	63.8	5.35	11331	4.82	10198	4.24	8980	3.82	8082
7.3	730	105.9	7.372	15614	6.63	14053	7.23	15313	6.51	13782

Due to our policy of continuous product improvement, specifications may change without notice - Specification sheet PWA 11 10 24 20 00 M

It is the customer's responsibility to check the compatibility between valves material and transported product.

PEROLO SAS, 69 Rue des Maçons, 33390 Blaye, FRANCE -Phone : + 33 (0)5 5742 67 00 - Email : sales@perolo.com



SAFETY RELIEF VALVE

3" (ND80) SAFETY RELIEF VALVE

FLANGED MEGA SUPERVENTIX

MX80 & MP80(PED)

CODIFICATION

STANDARD PART NUMBER

Standard: MX80 P 44 T 21 G . . .
 PED: MP80

YOUR PART NUMBER

MX80/MP80

BODY DRILLING - Other on request

4 slots x Ø18 x 145-152.4 PCD with 1/4" BSP connection	S
4 slots x Ø18 x 145-152.4 PCD with 1/4" BSP connection and plug	P

PRESSURE SETTING - Other on request

No pressure	00
. bar (ex: 4.4bar)	44

O'RING MATERIAL

FEP/Silicone	T
PFA (High Temp 220°C WT at 4,4b)	H

VACUUM SETTING - Other on request

No Vacuum	.
0.** bar (ex: 0.21 bar)	21

FLAME PROOF GAUZE

With	G
Without	S

VACUUM TEST BUTTON

With	B
Without	.

HALAR COATING

Without	.
---------	---

For coating options please see high corrosion catalogue

GAUGE PROTECTION

With	P
Without	.



SAFETY RELIEF VALVE