

2 1/2" (ND65) SAFETY RELIEF VALVE BSP MEGA SUPERVENTIX MX65F & MP65F(PED)

2 1/2" MEGA SUPERVENTIX™ threaded safety relief valve is designed to protect tanks against accidental overpressure and excessive vacuum. With a smart compact design, the 2 1/2" BSP MEGA SUPERVENTIX™ SRV has a high flow performance.



SPECIFICATION	
Nominal diameter	65 mm (2 1/2")
Weight	3 kg
Connection	2 1/2" BSP
Pressure settings	From 0.5 Bar to 7.4 Bar
Vacuum setting	From 50 to 410 mBar
Working Temperature	-50° to +190°C (HT +250°C)

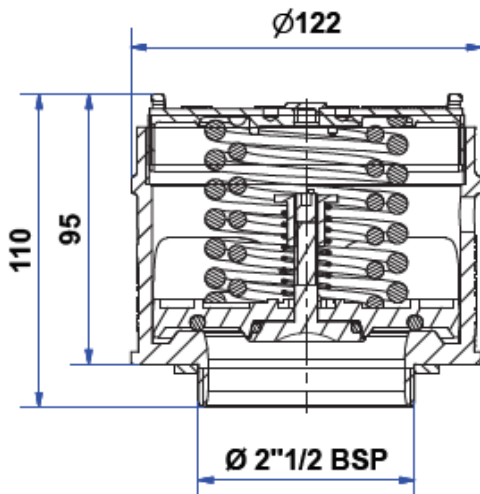
*Temperature range may vary according to the seal material

CONFORMITY & CERTIFICATION	
Complies with ADR / IMDG / RID / ISO 4126-1	
Design Approval: Lloyd's Register - RMR	
PED (for MP65 only)	
PED 2014/68/EU - Category IV - Module H1 - Fluid gr.1	
Lloyd's Register Espana	
STANDARD FEATURES (See Codification for option)	
Made of (material)	316 / 1.4408 stainless steel
Setting Gasket	PTFE
O'rings material	FEP silicone - others on request

ACCESSORIES	
Weld-in flange	12 91 14 00 00
Recess flange	12 92 14 00 00
Seal	11 10 01 60 00
Screw kit	12 12 60 91 00
Bursting Disc Adaptator	11 91 15 00 01
Pressure gauge	70 18 06 00 95

It is the responsibility of the user to ensure that the fluids in contact with the equipment are compatible with the materials listed in the product sheet

DIMENSIONAL DRAWING



Flow measurement conditions: 101.3 kPa at 15°C

Flow reduction with gauze <3%

Set pressure			FLOW RATE AT 120% MX65				FLOW RATE AT 110% MX65			
			Measured flow rate at 120% without gauze		Certified flow rate with the federal register coefficient 90% without gauze		Measured flow rate at 120% without gauze		Certified flow rate with the federal register coefficient 90% without gauze	
Bar	kPa	PSIG	Sm ³ /S	Scfm	Sm ³ /S	Scfm	Sm ³ /S	Scfm	Sm ³ /S	Scfm
Max (±3% SP; 0,1B/1,45PSI)										
2.18	218	31.6	2.56	5425	2.30	4883	1.98	4205	1.78	3785
3.75	375	54.4	3.92	8306	3.53	7475	3.34	7081	3.01	6373
4.4	440	63.8	4.48	9492	4.03	8543	3.9	7356	3.51	6620
7.3	730	105.9	6.99	14810	6.29	13329	6.4	13584	5.76	12226

Due to our policy of continuous product improvement, specifications may change without notice - Specification sheet PWA 11 10 26 20 00 O

It is the customer's responsibility to check the compatibility between valves material and transported product.

PEROLO SAS, 69 Rue des Maçons, 33390 Blaye, FRANCE -Phone : + 33 (0)5 5742 67 00 - Email : sales@perolo.com



SAFETY RELIEF VALVE

CODIFICATION

STANDARD PART NUMBER	Standard: MX65 PED: MP65	F	44	T	21	G	C	.	.
YOUR PART NUMBER	MX65/MP65	F		T					.
BODY CONNECTION									
2 1/2" BSP Threaded		F							
PRESSURE SETTING - Other on request									
No pressure		00							
. bar (ex: 4.4bar)		44							
SETTING GASKET									
FEP		T							
PFA/Silicone (HT +250°C)		H							
VACUUM SETTING - Other on request									
No Vacuum		.							
0.** bar (ex: 0.21 bar)		21							
FLAME PROOF GAUZE									
With		G							
Without		S							
SETTING GASKET									
Composite / PTFE		C							
Perbunan / PTFE		P							
VACUUM TEST BUTTON									
With		B							
Without		.							
HALAR COATING									
Without		.							

For coating options please see high corrosion catalogue



SAFETY RELIEF VALVE