

# 3" (ND80) NEATFLOW MKIV

Footvalve  
 NX3



The Perolo 3" NEATFLOW™ MKIV external spring footvalve is designed to be used as a bottom discharge for chemicals and liquid foodstuff products carried in tank containers and IBC's. The external spring design is perfectly suited to tanks containing viscous fluids and allows easy cleaning and maintenance - Discharge time improved - compact design

### SPECIFICATION

Nominal diameter	80 mm (3")
Weight	9.5 Kg
Inlet flange	8 holes x Ø14 on a 178 PCD
Outlet flange	4 holes x Ø18 on a 160 PCD
Working pressure	4 Bar
Test pressure	6 Bar
Working temperature	-50° to +190°C (HT +220°C)
Design temperature	-50° to +200°C (HT +250°C)

NB: temperature range vary according to o'ring material

### CONFORMITY, CERTIFICATION & APPROVAL

ADR / IMDG / RID / EN14433

Approved by : Bureau Veritas - RMR

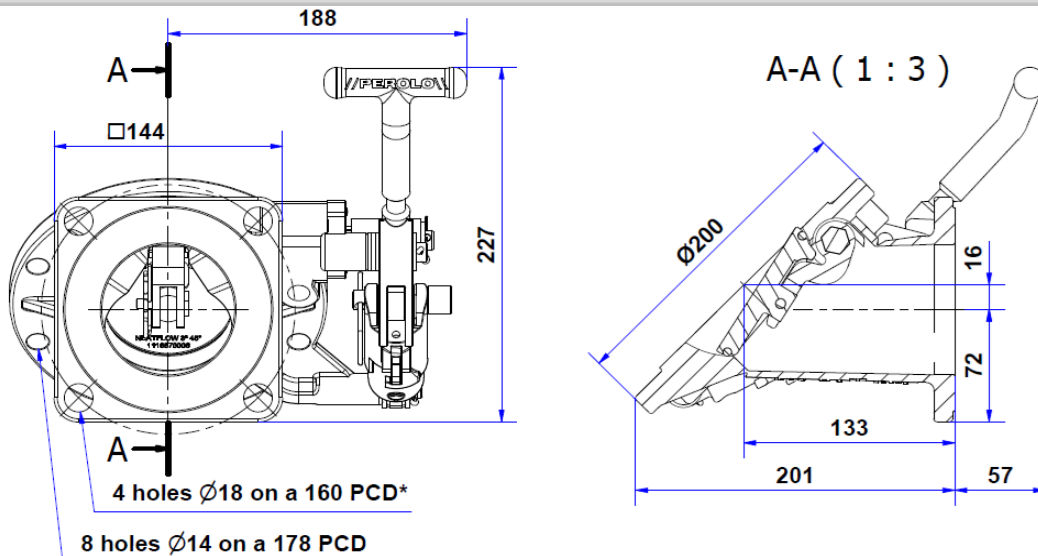
### STANDARD FEATURES (See Codification for option)

Made of (material)	316L / 1.4409 (Hast. C22 on request)
Angle	45° or 30°
Body length	133 mm from center to outlet
O'rings material	FEP/Silicone
Seals material	PTFE
Operating	Side operated handle or Pneumatic option
Footvalve spring	Spring outside the tank allows easier cleaning

### ACCESSORIES

45° weld-in flange	11 90 59 00 00
30° weld-in flange	11 91 16 00 00
Flange gasket	12 91 20 00 00
Screw kit	12 91 61 94 00

### DIMENSIONAL DRAWING



\*other drilling options on request

drawing of 45° footvalve, for drawing of 30° footvalve please contact our sales department

Due to our policy of continuous product improvement, specifications may change without notice - Specification sheet PWA 11 16 87 20 00 F

It is the customer's responsibility to check the compatibility between valves material and transported product.

PEROLO SAS, 69 Rue des Maçons, 33390 Blaye, FRANCE -Phone : + 33 (0)5 5742 67 00 - Email : sales@perolo.com



**BOTTOM DISCHARGE**

## CODIFICATION

### STANDARD PART NUMBER

NX3 4 A X 1 . . W . .

### YOUR PART NUMBER

#### OUTLET ANGLE

45°	4
30°	3

#### INLET FLANGE

8 x Ø14 x 178 PCD	A
-------------------	---

#### MATERIAL

316L stainless steel	X
316L & Hastelloy C276 coated seat	Q

#### OUTLET FLANGE

Square flange 4 x Ø18 x 160 PCD	1
Square flange 4 x M16 x 160 PCD	2

#### STEAM HEATING

Without	.
With steam heating	V

#### CONICAL POPPET

Without	.
With conical poppet	K

#### REMOTE CONTROL

Without	.
With remote control lever	W

#### HIGH TEMPERATURE

Without (WT +190°C)	.
With High temperature (WT +220°C) HTA	

#### OPENING CONTROL

T Handle standard	.
Right L Handle	L
Short Handle	C
Left L Handle	G
Pneumatic actuator	P



**BOTTOM DISCHARGE**

Due to our policy of continuous product improvement, specifications may change without notice - Specification sheet PWA 11 16 87 20 00 F

It is the customer's responsibility to check the compatibility between valves material and transported product.

PEROLO SAS, 69 Rue des Maçons, 33390 Blaye, FRANCE -Phone : + 33 (0)5 5742 67 00 - Email : sales@perolo.com