



The 3" TANKFLY flanged butterfly valve is designed to be used as a fluid inlet/outlet valve - with a compact design this product offers an easy opening/closing with a 1/4 turn lockable handling operation. NEW model with splined spindle for even better handling.

SPECIFICATION	
Nominal diameter	80 mm (3")
Weight	7.0 Kg
Inlet flange	6 x Ø14 x 168 PCD / 4 x Ø18 x 160 PCD
Outlet flange	4 slots x Ø18 on a 146 PCD*
Working Pressure	7 Bar
Test Pressure	10.5 Bar
Working Temperature	STD:-50° to +150°C/ HT°:-20° to 250°C
Design Temperature	STD:-50° to +250°C/ HT°:-20° to 250°C

CONFORMITY, CERTIFICATION & APPROVAL	
Comply with ADR / IMDG / RID / EN14432	
Approved by Bureau Veritas - TÜV - RMR	

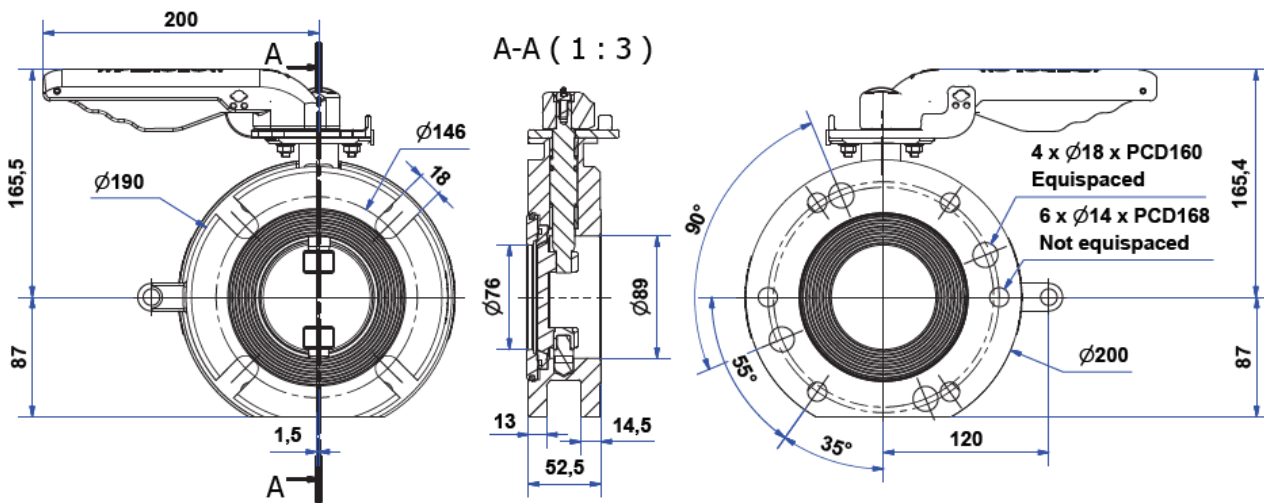
ACCESSORIES	
Blind Flange	11 90 41 00 00
Weld-in flange	11 90 36 00 00
Recess flange	11 90 98 00 00
Gasket	12 91 40 00 00
Screw kit	12 91 61 92 00
Pivot pin	12 91 52 00 00
Remote control	RMT53

STANDARD FEATURES	
Made of (material)	316 / 1.4408 stainless steel
Compact Design	Face to face 54mm
Operation	Handle - 1/4 turn with Locking*
Closure plate seal	PTFE
Torque transmission	Splined spindle

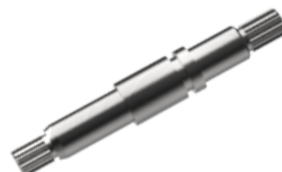
*for more drilling options please check codification

*anti-clockwise opening for standard

DIMENSIONAL DRAWING



Splined spindle



BUTTERFLY VALVE

CODIFICATION

STANDARD PART NUMBER

TF S 8 X 7 T 1 1 0 0

YOUR PART NUMBER

TF _____ 7 _____

TORQUE TRANSMISSION

Splined spindle **S**

NOMINAL DIAMETER

80 mm **8**

MATERIAL

316 / 1.4408 stainless steel **X**

904L stainless steel **U**

MAWP

7 bar **7**

SEAL MATERIAL & WORKING TEMP.

PTFE seal - Standard WT **T**

HT seal - WT: -20°C to 250°C **H**

PTFE seal - CE1935/2004 **A**

INLET FLANGE DRILLING

6 x Ø14 x 168 PCD / 4 x Ø18 x 160 PCD **1**

8 x Ø18 x 160 PCD **2**

4 x M16 x 160 PCD **3**

4 x 18 x 160 PCD **4**

6 x Ø14 x 168 PCD / 8 x Ø18 x 160 PCD **5**

6 x 14 x 168 PCD **6**

OUTLET FLANGE DRILLING

4 x slotsØ18 x 146 PCD **1**

4 x slotsØ18 x 146 PCD / 4 x M16 x 160PCD **2**

CLOSURE PLATE

Standard closure plate 0 **0**

Spheric closure plate S **S**

OPENING MECHANISM

Standard manual opening 0 **0**

Manual with remote control handle W **W**

Pneumatic with double rack pneumatic P1 **P1**

Pneumatic with rotating actuator P2 **P2**



BUTTERFLY VALVE