



The 3" TANKFLY clamped butterfly valve is designed to be clamped between 2 flanges or directly onto the pipe work. NEW model with splined shaft for even better handling.

SPECIFICATION	
Nominal diameter	80 mm (3")
Weight	3,15 KG
Inlet flange	Clamped between DIN or ANSI Flange
Outlet flange	Clamped between DIN or ANSI Flange
Working Pressure	7 Bar
Test Pressure	10.5 Bar
Working Temperature	STD:-50° to +150°C/ HT°:-20° to 250°C
Design Temperature	STD:-50° to +250°C/ HT°:-20° to 250°C

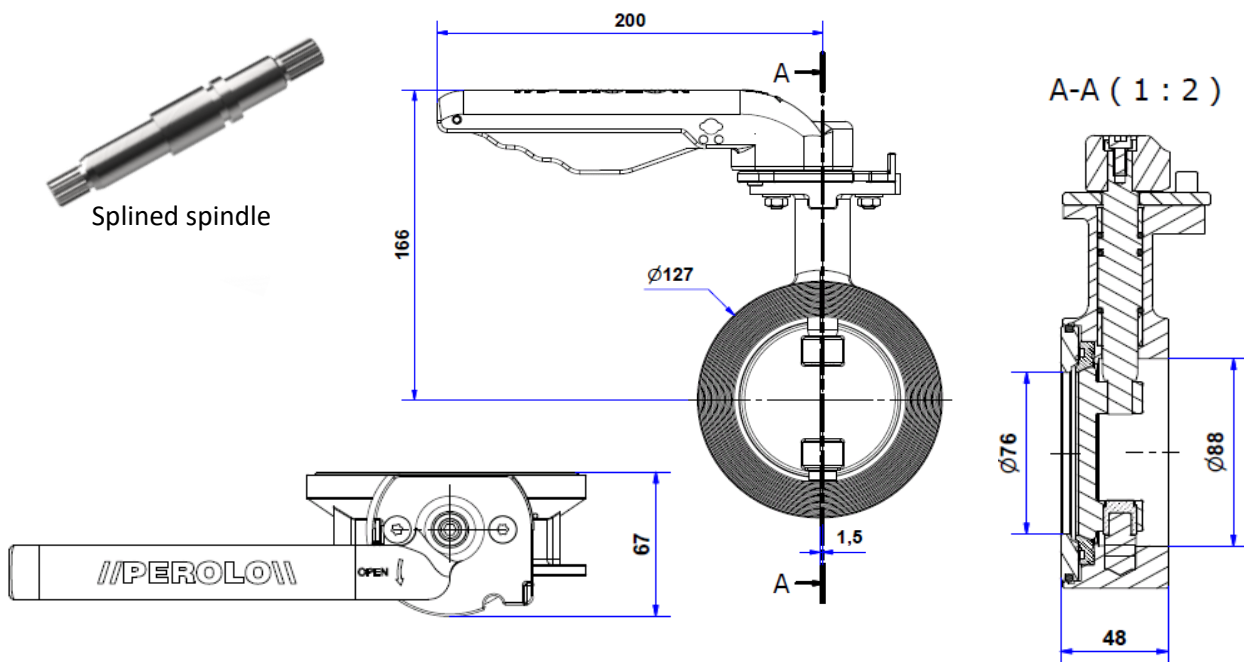
ACCESSORIES	
Weld in flange	11 90 36 00 00
Seal	12 91 40 00 00
Adaptor flange	12 91 41 00 03
Blind flange	11 95 90 00 00
Screw kit M16-90	12 85 57 00 24
Screw kit M16-40	11 10 09 91 00
Remote control	RMT53

CONFORMITY, CERTIFICATION & APPROVAL
Comply with ADR / IMDG / RID / EN14432
Approved by Bureau Veritas - RMR

STANDARD FEATURES	
Made of (material)	316 / 1.4408 stainless steel
Compact Design	Face to face 48 mm
Operation	Handle - 1/4 turn with Locking*
Closure plate seal	PTFE
Torque transmission	Splined spindle

\*anti-clockwise opening for standard

### DIMENSIONAL DRAWING



CODIFICATION

STANDARD PART NUMBER TP S 8 X 7 T 0 0

YOUR PART NUMBER TP 7

**TORQUE TRANSMISSION**  
 Splined spindle S

**NOMINAL DIAMETER**  
 80 mm 8

**MATERIAL**  
 316 / 1.4408 stainless steel X  
 904L stainless steel U

**MAWP**  
 7 bar 7

**SEAL MATERIAL & WORKING TEMP.**  
 PTFE seal - Standard WT T  
 HT seal - WT: -20°C to 250°C H  
 PTFE seal - CE1935/2004 A

**CLOSURE PLATE**  
 Standard closure plate 0  
 Spheric closure plate S

**OPENING MECHANISM**  
 Standard manual opening 0  
 Manual with remote control handle W  
 Pneumatic with double rack pneumatic actuator P1  
 Pneumatic with rotating actuator P2



**BUTTERFLY VALVI**

Due to our policy of continuous product improvement, specifications may change without notice - Specification sheet PWA 11 17 58 20 00 D

It is the customer's responsibility to check the compatibility between valves material and transported product.

PEROLO SAS, 69 Rue des Maçons, 33390 Blaye, FRANCE -Phone : + 33 (0)5 5742 67 00 - Email : sales@perolo.com