

3" (ND80) TWINCO MKII

Bottom Discharge VTSCX3



Perolo 3" TWINCO bottom discharge assembly combines one 3" TWINCO™ footvalve with splined butterfly shaft, and one 3" BSP threaded outlet nozzle with cap, all fully assembled together with gaskets and screws. It is designed to be fitted at the bottom of tank containers. Made of stainless steel 316L/1.4409, this product is suitable for ISO tank containers dedicated to the transport and storage of chemicals and liquid foodstuff.

SPECIFICATION

Nominal diameter	80 mm (3")
Weight	15.0 Kg
Inlet flange	8 x Ø14 on a 178 PCD
Outlet flange	3" BSP*
Working pressure	4 Bar
Test pressure	6 Bar
Working temperature	-50° to +150° (+190°C for Footvalve)
Design temperature	-50° to +200°C

NB: temperature range vary according to o'ring material

CONFORMITY, CERTIFICATION & APPROVAL

ADR / IMDG / RID / EN14433 / EN14432

Approved by : Bureau Veritas - RMR

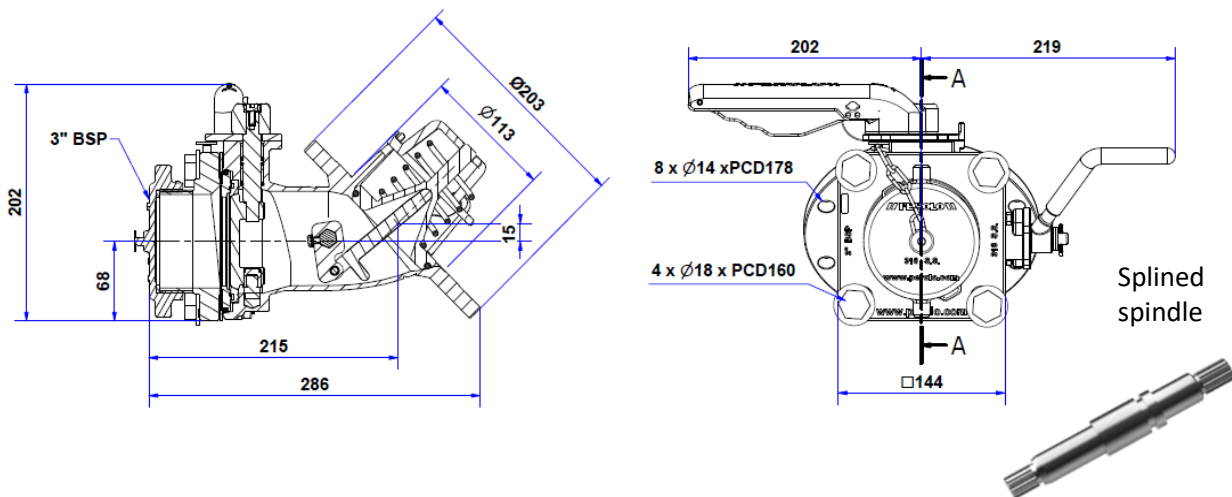
STANDARD FEATURES (See Codification for option)

Made of (material)	316L / 1.4409 stainless steel
Angle	45° or 30°
Body length	216 mm from center to cap
O'rings material	FEP/Silicone
Seals material	PTFE
Operating	Side operated handle
Footvalve spring	Inside the tank
Torque transmission	Splined spindle

ACCESSORIES

45° weld-in flange	11 90 59 00 00
30° weld-in flange	11 91 16 00 00
Seal	12 91 20 00 00
Stud kit	12 91 61 94 00

DIMENSIONAL DRAWING



drawing of 45° footvalve, for drawing of 30° footvalve please contact our sales department

* other outlet options on request (please see codification page)

CODIFICATION



STANDARD PART NUMBER

45° VTSCX3	4	S	C	R	.
30° VTSCX3	3S	S	C	R	.

YOUR PART NUMBER

45° VTSCX3
30° VTSCX3

S

OUTLET ANGLE

45°	4
30° (MKI version only)	3S

OUTLET FLANGE DRILLING

4 x Ø18 x 160 PCD	S
-------------------	---

STEAM HEATING

Without	.
With steam heating	V

SEAT MATERIAL

Stainless st 316L / 1.4409 seat	.
Hastelloy C276 coated seat	Q

VENTING PORT

Without	.
1 port 1/4" BSP	1
2 ports 1/4" BSP	2
1 port 1/4" NPT	3
2 ports 1/4" NPT	4

SAMPLING PORT - other on request

Without	.
---------	---

OUTLET SQUARE NOZZLE

Without cap	N
With cap	C
With female cap	F
With 3" camlock nozzle & cap	B

REMOTE CONTROL

With remote control system	R
With remote control system + cable	W
With remote control system + kick remote	K
With remote control system + handle set	D

HANDLE

Standard	.
Short handle (45° footvalve)	C
Short handle (30° footvalve)	L

BOTTOM DISCHARGE